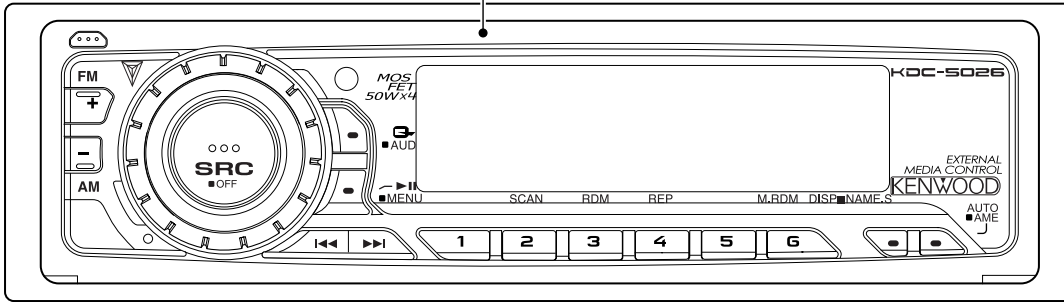


CD MECHANISM EXTENSION CORD : W05-0618-00

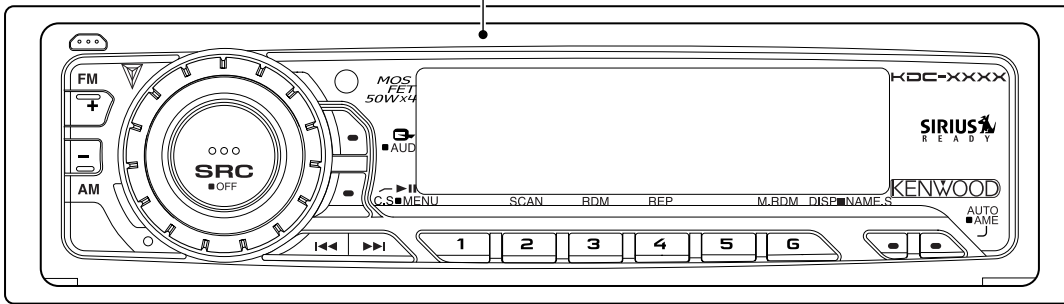
KDC-5026/5026G

Panel assy  
(A64-3190-02):KDC-5026G  
(A64-3191-02):KDC-5026

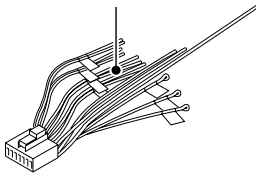


KDC-3025  
KDC-325

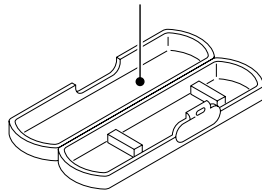
Panel assy  
(A64-3183-02):KDC-325  
(A64-3185-02):KDC-3025



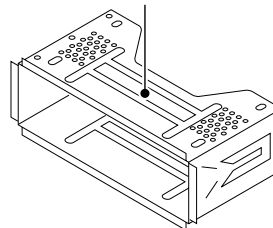
DC cord  
(E30-6322-05)



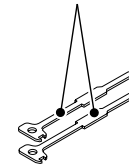
Plastic cabinet assy  
(A02-1486-13)



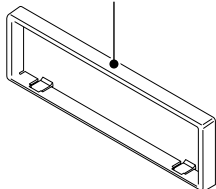
Mounting hardware assy  
(J22-0011-03)



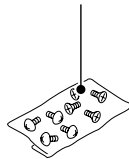
Lever  
(D10-4589-04) x2



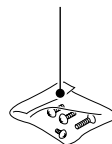
Escutcheon  
(B07-3083-02):KDC-5026G  
(B07-3098-02):KDC-325/5026  
(B07-3100-02):KDC-3025



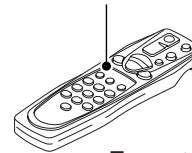
Screw set  
(N99-1719-05)



Screw set  
(N99-1730-15)



Remote controller assy (RC-505)  
(A70-2040-05)



SIZE AA BATTERY

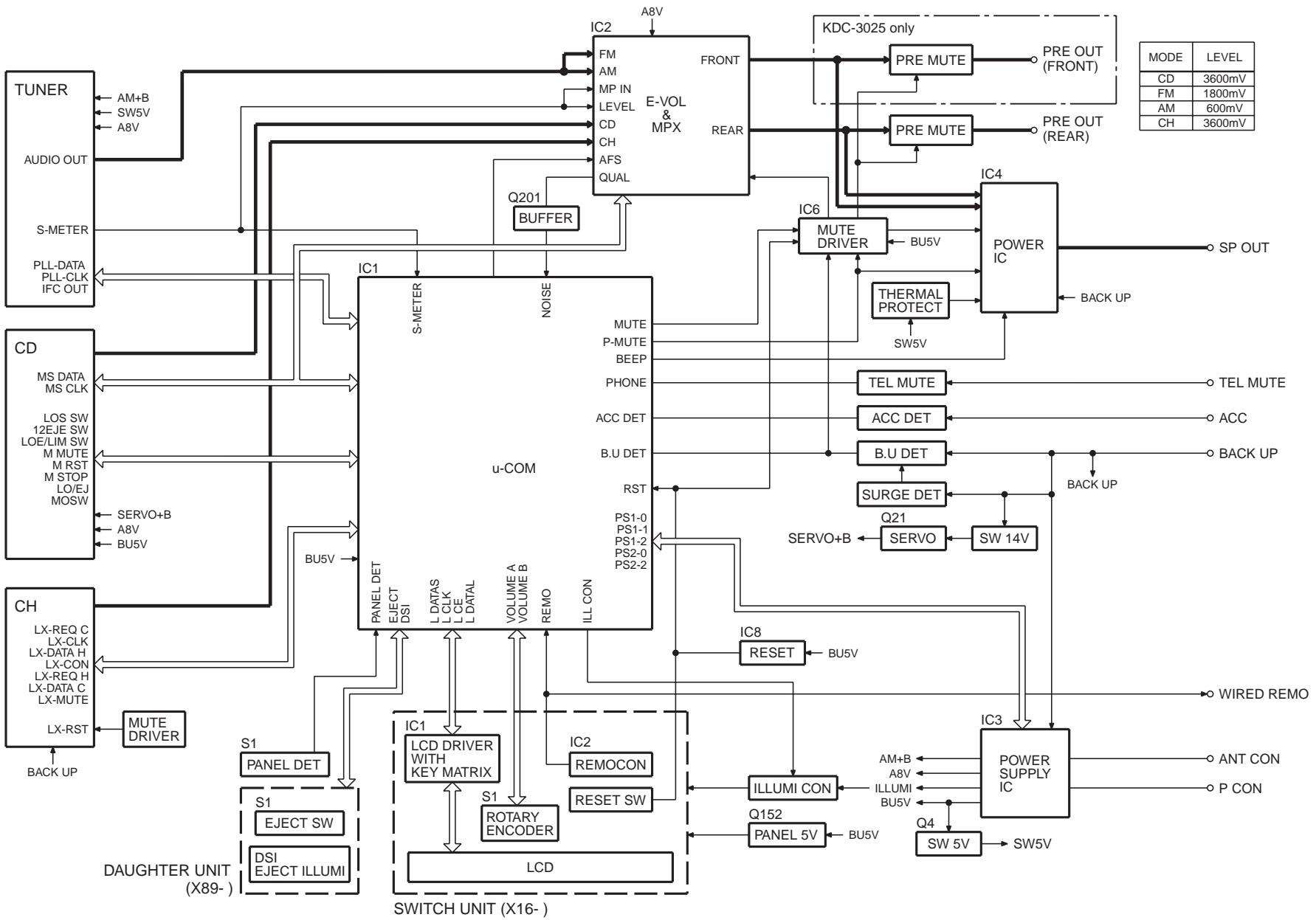


Except KDC-5026G

### TDF PANEL INFORMATION

MODEL	TDF PANEL No.	TDF NAME	MODEL	TDF PANEL No.	TDF NAME
KDC-325	Y33-1930-60	TDF-43D	KDC-5026	Y33-1930-63	TDF-5026
KRC-3025	Y33-1930-61	TDF-43DB	KRC-5026G	Y33-1930-62	TDF-5026G





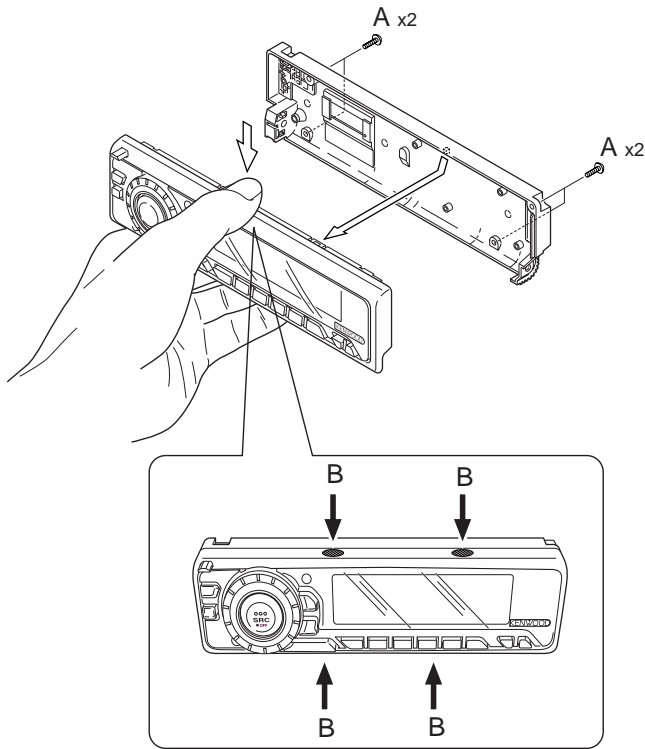
**BLOCK DIAGRAM**

**KDC-3025/325/5026/G**

## DISASSEMBLY FOR REPAIR

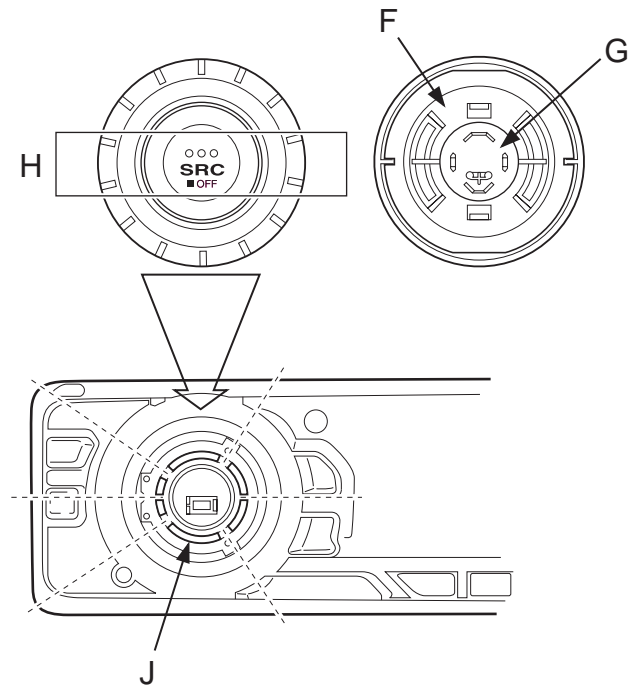
### How to Disassemble (PANEL ASSY)

- 1) Remove four screws (A).
- 2) While holding the section (B) indicated with arrows, pull and remove PANEL ASSY.



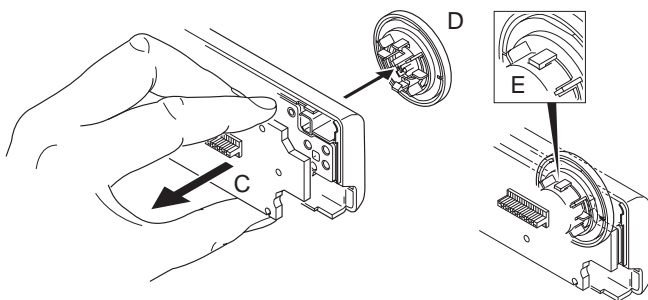
### How to install knob (SRC)

- 1) Place knob (F) and knob (G) in the positions indicated in the diagram below.
- 2) While keeping these positions, use a piece of adhesive tape (H) to hold knobs in position, as shown in the diagram.
- 3) Set the rotary (J) position as shown in the diagram.
- 4) While keeping the letters "SRC" horizontally in position, set it to the rotary on the panel.
- 5) Remove the adhesive tape (H).



- 3) Pull SWITCH UNIT (C) as indicated in the diagram and remove knob (D).

(The knob (D) is attached to the rotary with hook (E) and it is not possible to remove hook (D) only.)



## COMPONENTS DESCRIPTION

### ● SWITCH UNIT (X16-2500-xx)

Ref. No.	Application/Function	Operation/Condition/Compatibility
IC1	LCD Driver	Drives LCD
IC2	Remote Control IC	Controls the unit.
Q1,Q4	REMO ON SW	The power supply of IC2 is turned on when base level goes "L".

### ● ELECTRIC UNIT (X34-3090-xx)

Ref. No.	Application/Function	Operation/Condition/Compatibility								
IC1	System $\mu$ -COM	Controls FM/AM tuner, the changer, CD mechanism, Panel, volume, and tone.								
IC2	E.Vol & N.C.MPX	Controls the source, volume, tone and FM multiplex detector.								
IC3	Power Supply IC	Bu5V (5V) Audio8V (8V) FM+B (8V) AM+B (8V) P-CON ANT-CON								
		<table border="1"> <thead> <tr> <th>SW1</th> <th>OUT</th> </tr> </thead> <tbody> <tr> <td>1.5~3.0</td> <td>Audio ON</td> </tr> <tr> <td>3.5~5.0</td> <td>Audio P-CON ON</td> </tr> <tr> <td>7.0~</td> <td>Audio P-CON P-ANT ON</td> </tr> </tbody> </table>	SW1	OUT	1.5~3.0	Audio ON	3.5~5.0	Audio P-CON ON	7.0~	Audio P-CON P-ANT ON
		SW1	OUT							
		1.5~3.0	Audio ON							
		3.5~5.0	Audio P-CON ON							
		7.0~	Audio P-CON P-ANT ON							
		SW2								
2.0~3.0	ILLUMI FM ON									
4.0~	ILLUMI AM ON									
IC4	Power IC	Amplifies the front L/R and the rear L/R to 50W maximum.								
IC6	Muting logic IC	Controls logic for muting.								
IC8	Reset IC	"L" when detection voltage goes below 3.5V or less.								
Q1	Surge Detection	"L" when the back-up voltage becomes more than 24V (momentary power down). "H" when the back-up voltage becomes less than 24V.								
Q2	BACK-UP Detection	"L" when B.u is present. "H" when B.u is absent or momentary power down is detected.								
Q3	ACC Detection	"L" when Acc is present.								
Q4	SW 5V	ON when the base is "L".								
Q21	Servo Regurator									
Q22	Servo SW									
Q23	Conrtol Power Supply IC									
Q151	DSI Driver	DSI lights when the base is "L". DSI turns off when the base is "H". DSI turns on and off when panel is taken off.								
Q152	Panel 5V SW	When the panel is attached, the base goes "L", turning the Tr ON to supply 5V to the panel. When panel is taken off, panel 5Vcut off.								
Q153,Q154	ILLUMI Control	ILLUMI lights when the base of Q153 is "H".								
Q201	Noise buffer									
Q351	Pre Mute SW	Mutes the Rear Lch when the base is "H".								
Q352	Pre Mute SW	Mutes the Rear Rch when the base is "H".								
Q354	Pre Mute SW	Drives the Pre Mute sw (Q351, 352, 355, 356) when the base is "L".								
Q355	Pre Mute SW	Mutes the Front Lch when the base is "H".								
Q356	Pre Mute SW	Mutes the Front Rch when the base is "H".								

## MICROCOMPUTER'S TERMINAL DESCRIPTION

## ● SYSTEM MICROCOMPUTER : M30302MC-1N4FP (X34 : IC1)

Pin No.	Pin Name	I/O	Application	Truth Value Table	Processing Operation Description
1~5	N.C	O	OPEN (Output L fixed)		
6	REMO	I	Remote control input		
7	N.C	O	OPEN (Output L fixed)		
8	BYTE	I	External data bus width switching input		Connect to GND
9	CNVSS	I			Pull down at 1kΩ
10	XCIN	I	Sub clock input		
11	XCOU	O	Sub clock output		
12	RESET	I	Reset input		Normal : H, When RESET : L
13	XOUT	O	Main clock output		
14	VSS	-	GND		
15	XIN	I	Main clock input		
16	VCC	-	Power supply input (5V)		
17	NMI				Pull up (B.U5V)
18	EJECT	I	EJECT detection input		L : EJECT
19	N.C	O	OPEN (Output L fixed) (Other than RDS model)		
20	LX-REQ S	I	Reception request from external slave		L : Request
21	ILL CON	O	Illumination output control		FLIP DET "L" during "H"
22	PANEL 5V	I/O	Panel 5V control		L : ON (Panel detect & ACC ON) Hi-Z : OFF (Panel no detect or ACC OFF)
23	VOL A	I	VOL key input		
24	VOL B	I	VOL key input		
25	LOE/LIM SW (SW3)	I	CD DOWN SW detection		H : Chucking
26	BEEP	O	BEEP output		
27	M STOP	O	STOP request to CD mechanism		When CD : H, When STOP : L
28	MOSW	O	CD mechanism MOTOR SW		LOADING, EJECT, Brake : H
29	PLL-CLK	I/O	Clock output to F/E		
30	PLL-DATA	I/O	Data input/output with F/E		
31	LX-DATA M	O	Data output to external slave		Last retention
32	LX-DATA S	I	Data input from external slave		
33	LX-CLK	I/O	Clock input and output of external slave		
34	LX-REQ M	O	Transmission request to external slave		At request : L
35	L DATAS	O	Data output to LCD driver		
36	L DATAL	I	Data input from LCD driver		
37	L CLK	I/O	Clock output to LCD driver		
38	FLIP-DET	I	Panel collapse detection		L : Panel received, H : Panel collapse
39	L CE	O	CE output to LCD driver		
40	LO/EJ	I/O	CD mechanism LOADING, EJECT switching		STOP, Brake : Hi-z LOADING : L, EJECT : H
41	EPM	I	For flush writing		Pull down at 100kΩ

## MICROCOMPUTER'S TERMINAL DESCRIPTION

Pin No.	Pin Name	I/O	Application	Truth Value Table	Processing Operation Description
42	M RST	O	RESET output to CD mechanism		Normal : H, When RESET : L
43	M-MUTE R	I	MUTE request (Rch) from CD mechanism		L : MUTE ON
44	12EJE SW (SW2)	I	12cm DISC detection input		L : 12cm disk
45	M-MUTE L	I	MUTE request (Lch) from CD mechanism		L : MUTE ON
46	LX-CON	O	External slave selection		ON : H, OFF : L
47	LO.S SW (SW1)	I	LOADING SW detection input		L : LOADING START
48	DSI	O	EJECT key, DSI, guide ILLUMI output		ILLUMI ON : L, ILLUMI OFF : H
49	PANEL-DET	I	Detection for panel or no panel		H : Panel detect, L : Panel no detect
50	N.C	O	OPEN (Output L fixed)		
51	IFC OUT	I	F/E IFC OUT input		H : Station detect
52,53	N.C	O	OPEN (Output L fixed) (Other than RDS model)		
54	N.C		OPEN (Output L fixed)		
55	AFS	O	Constant switch terminal at noise detection		During FM seek, AF search : L When receiving : H
56	SDA	I/O	Data input/output to IC2, CD mechanism		
57	SCL	I/O	CLK output to IC2, CD mechanism		
58	MUTE	O	IC2 MUTE control		MUTE ON : H, MUTE OFF : L
59	N.C		OPEN (Output L fixed)		
60	IC2 TYPE 0	I	Third party/genuine switching 0 (ROLL-OFF)		L : Third party, H : Genuine
61	IC2 TYPE 1	I	Third party/ genuine switching1 (NOISE-CANCEL)		L : Third party, H : Genuine
62	VCC		Power supply input (5V)		
63	N.C	O	OPEN (Output L fixed)		
64	VSS		GND		
65-67	TYPE 0-TYPE 2	I	Destination switching port	③	
68	N.C	O	OPEN (Output L fixed)		
69	SVR	O	Power IC SVR control		Momentary power dropped : H
70	P-STBY	O	Power IC STBY control		POWER IC ON : H, OFF : L ALL OFF during : L
71	P-MUTE	O	Power IC MUTE control		When POWER OFF : L, When ALL OFF : L When TEL MUTE : L
72	SW5V	I/O	SW5V control		ON : L, OFF : Hi-z
73	B.U-DET	I	Momentary power dropped detection input		L : B.U detect, H : B.U no detect
74	ACC-DET	I	Acc detection input		L : Acc detect, H : Acc no detect
75	N.C	O	OPEN (Output L fixed)		
76-78	PS1-0-PS1-2	O	Power supply IC control terminal	①	
79,80	PS2-0-PS2-1	O	Power supply IC control terminal	②	
81	LX-MUTE	I	MUTE request from external slave		H : MUTE ON, L : MUTE OFF

## MICROCOMPUTER'S TERMINAL DESCRIPTION

Pin No.	Pin Name	I/O	Application	Truth Value Table	Processing Operation Description
82-88	N.C	O	OPEN (Output L fixed)		
89	KEY-REQ	I	Communication request from LCD driver		L : Key input detect
90-92	N.C	O	OPEN (Output L fixed)		
93	S-METER	I	S-meter voltage input		
94	NOISE	I	FM noise detection		
95	N.C	O	OPEN (Output L fixed)		
96	AVSS	-	GND		
97	N.C	O	OPEN (Output L fixed)		
98	VREF	I	Reference voltage input		Connect to 100 pin
99	AVCC	-	5V		
100	REFCON	O	VREF control		While power ON : H

Truth Value Table ①

PS1-0	PS1-1	PS1-2	AUDIO	P-CON	P-ANT
L	L	L	OFF	OFF	OFF
H (L)	L (H)	L	ON	OFF	OFF
H	H	L	ON	ON	OFF
H	H	H	ON	ON	ON

Truth Value Table ②

PS2-0	PS2-1	ILLUMI	FM+B	AM+B
L	L	OFF	OFF	OFF
H(L)	L(H)	ON	ON	OFF
H	H	ON	OFF	ON

Truth Value Table ③

MODEL	DESTINATION	TYPE		
		0	1	2
KDC-5027	E	L	L	H
KDC-5027Y	E2	L	L	H
KDC-508	E	L	L	H
KDC-3025	K	H	L	H
KDC-325	K	H	L	H
KDC-5026	M (K)	H	H	H
KDC-5026G	M (K)	H	H	H

## TEST MODE

### 1. How to enter the test mode

- While holding the Preset 1 and Preset 3 keys, reset the unit.

### 2. How to exit from the test mode

- Reset the unit, momentary power down, ACC OFF, power OFF, and Panel detached.
- (Note) The test mode cannot be terminated by Panel is fall down.

### 3. Initial status in the test mode

- Sources : All OFF.
- Display : All segments are lit.
- Volume : -10 dB (displayed as 30)
- Loudness : OFF
- CRSC : OFF regardless of the presence of switching function.
- SYSTEM Q : Flat.
- BEEP : When pressing any keys, the buzzer generates a beep at any time.
- DISPLAY TYPE : TYPE A

### 4. RDS automatic measurement

- An addition to disposal of substitute for visual check PS display as usual production lines.
- P-CON terminal is OFF by force, when received the PS data and in case of corroboration PS display is "RDS\_TEST". ("\_" is mean blank.)
- This disposal is test mode only.
- P-CON is switching the source or return with power on→off.

### 5. Special display in Tuner mode

When any of the following messages is displayed in Tuner mode, the front end may be abnormal.

- "TNE 2P NG": The EEPROM is set to the default (unstable values) because the F/E was shipped without passing through the adjustment process, etc.
- "TNCON NG": Communication with the F/E is not possible.

### 6. Forced switching of K3I

- Each press of the Preset 6 key in Tuner mode should switch K3I from AUTO → Forced Wide → Forced Middle → Forced Narrow → AUTO. The initial status is AUTO and the display shows these modes as follows.
- AUTO : FMA
- Forced Wide : FMW
- Forced Middle : FMM
- Forced Narrow : FMN

### 7. CD Receiver Test Mode Specification

- When resetting to start, forced ejection of CD is prohibited. When a CD is in place, the CD is not recognized when reset.
- ►► When this key is pressed, the mechanism jumps to the following track.  
No9 → No15 → No10 → No11 → No12 → No13 → No22 → No14 → No9 (Return to the first track.)
- ◀◀ When this key is pressed, the track goes down by one from the currently played track.
- When a CD being played, by pressing [1] key intermittently, the mechanism can be made to jump to Track No. 28.

### 8. Audio-related specifications

- A short press of the Q key initiates the audio adjustment mode.
- Pressing the \* key on the remote initiates the audio adjustment mode.
- Fader is selected to the initial item.
- Continuous holding of a remote control key is inhibited.
- Bass, Middle and Treble are adjusted in 3 steps of -8/0/+8 with the Track Up/Down keys.
- Balance is adjusted in 3 steps of L15/0/R15 with the Track Up/Down keys.
- Fader is adjusted in 3 steps of F15/0/R15 with the Track Up/Down keys.
- Volume Offset is adjusted in 2 steps of -8/0 with the Track Up/Down keys.

### 9. Menu-related specifications

- A short press of the MENU key initiates the Menu mode. Except, tape source is usually press and hold 1 second to enter the menu mode and short press initiates turn over.
- Pressing the DNPP/SBF key on the remote initiates the Menu mode.
- Continuous holding of a remote control key is inhibited.
- Contrast is adjusted in 3 steps of 0/5/10 (5x7dot), 0/4/7 (14seg) with the Track Up/Down keys.

### 10. Backup current measurement

- When the unit is reset while ACC is OFF (i.e. by turning Back-Up ON), the MUTE terminal goes OFF in 2 seconds in place of 15 second.



## TEST MODE

### 11. Special display when the display is All ON

Pressing the Preset keys while the power is All OFF displays the following information.

[14seg 8 digits]

1key	Version display (8 digits, Month/Day/Hour/Minute) (Display) xxxxxxxx
2key	
3key	Short press: View power ON time. (The All OFF period is not counted.) Long press/hold: Clear power ON time. (Display) PONxxxxx Max. 65535 (hours)
4key	Short press: Display TAPE operation time. Long press/hold: Clear TAPE operation time. (Display) TPTxxxxx Max. 65535 (hours)
5key	Short press: Display TAPE ejection count. Long press/hold: Clear TAPE ejection count. (Display) EJCxxxxx Max. 65535 (times)
6key	Short press: Display Panel open/close count. Long press/hold: Clear Panel open/close count. (Display) PCxxxxx Max. 655359 (times)
FM key	Display ROM collection version (Display) ROM Rxxx Invalid :ROM R-

[15x7dot 12 digits]

1key	Version display (8 digits, Month/Day/Hour/Minute) (Display) SYS_xxxxxxxx
2key	
3key	Short press: View power ON time. (The All OFF period is not counted.) Long press/hold: Clear power ON time. (Display) PonTim_xxxxx Max. 65535 (hours)
4key	Short press: Display TAPE operation time. Long press/hold: Clear TAPE operation time. (Display) TPTim_xxxxx Max. 65535 (hours)
5key	Short press: Display TAPE ejection count. Long press/hold: Clear TAPE ejection count. (Display) EjeCnt_xxxxx Max. 65535(times)
6key	Short press: Display Panel open/close count. Long press/hold: Clear Panel open/close count. (Display) PnCnt_xxxxx Max. 655359 (times)
FM key	Display ROM collection version (Display) ROM Rxxx Invalid: ROM R-

### 12. Other specifications

- The line mute against times are 1 second from 10 seconds when starting the test mode.

### ■ Security

#### • Forced Power ON mode (All models)

Even when the security is approved, resetting the unit while holding the Q and 4 keys makes it possible to turn the power ON for 30 minutes. After 30 minutes have elapsed, it is not possible to return to the previous condition unless the unit is reset again.

#### • Method of registration of the security code after EEPROM (F/E) replacement (Code security model)

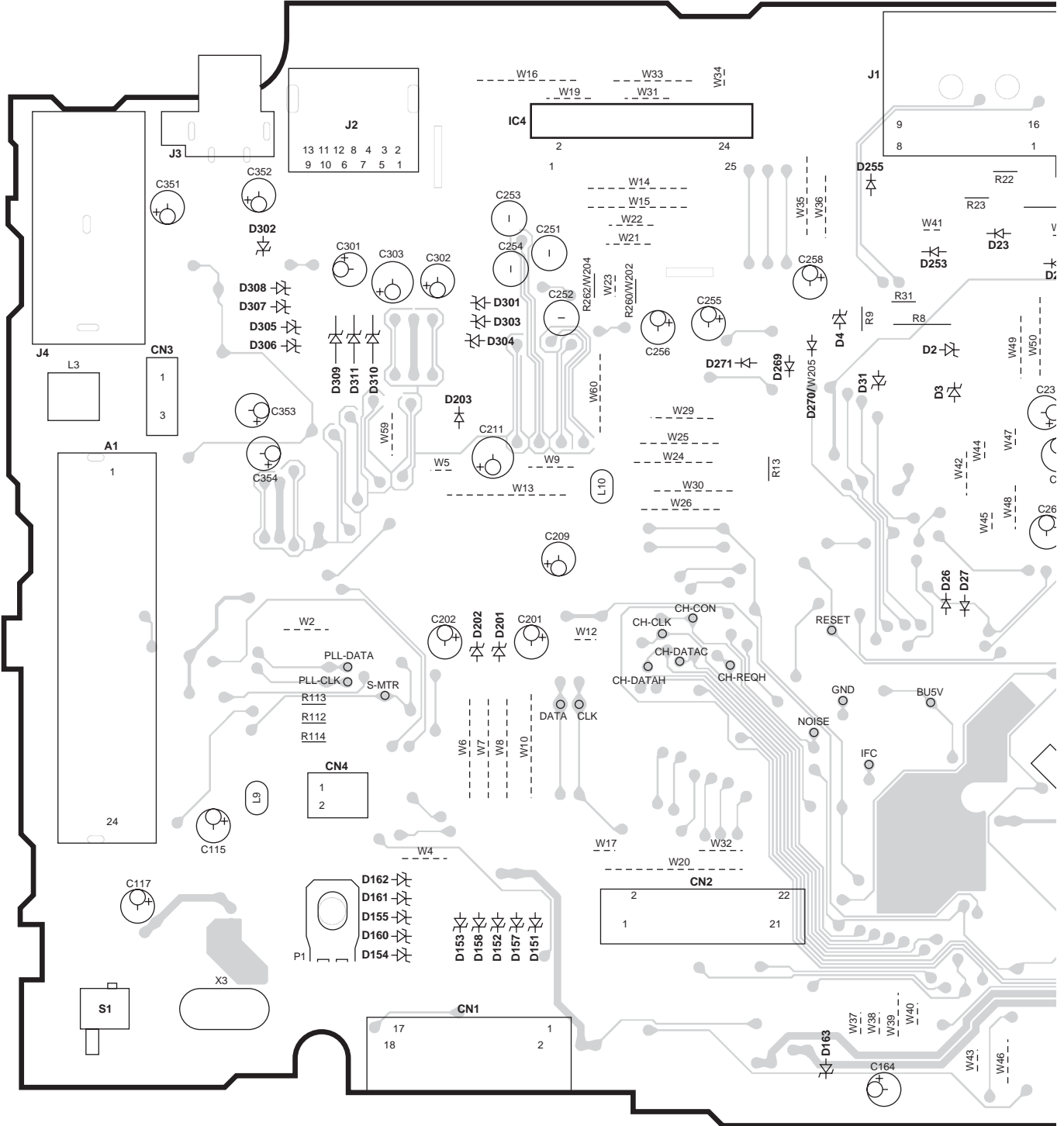
1. Enter the test mode. (See How to enter the test mode)
2. Press the MENU key to enter the MENU.
3. When the message "Security" is displayed, press and hold the Track Up/Down key for 1second to enter the Security registration mode.
4. Enter the code using the FM/AM/Track Down keys.
  - FM key : Number up
  - AM key : Number down
  - Track Up key : Cursor right shift
  - Track Down key : Cursor left shift
5. Hold down the Track Up key for at least 3 seconds and the message, "RE-ENTER" appears, so once again enter the code according to Step 4 above.
6. Press and hold the Track Up key for 3 seconds until "APPROVED" is displayed.
7. Exit from the test mode. (See 2 How to exit from the test mode)  
(Note) All Clear is not applicable to the security code of this model.

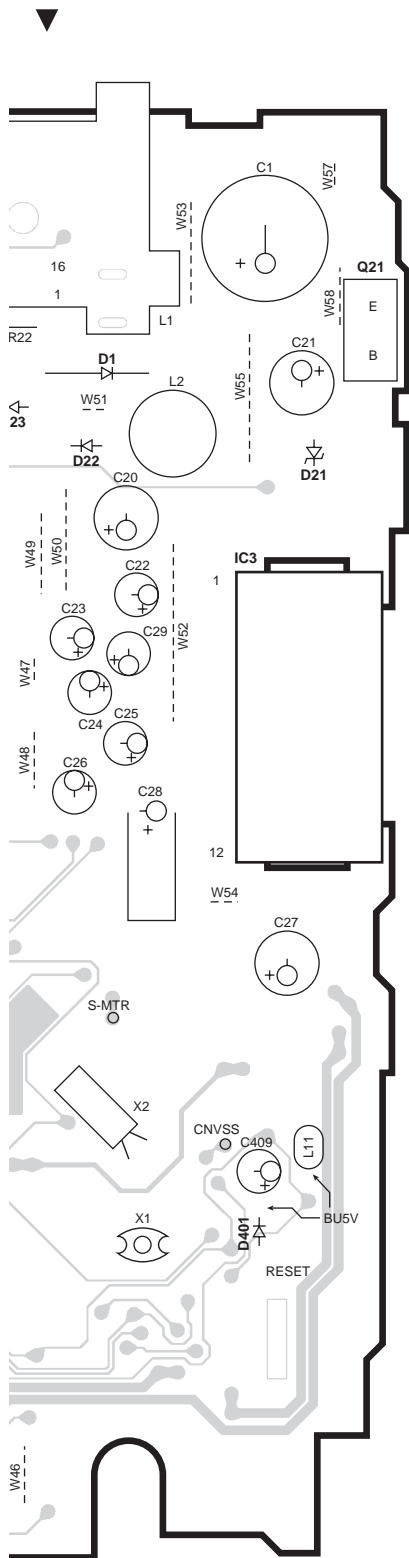
#### • Simplified method of clearing the security code

1. While the code entry is requested, press and hold the Track Up key for 3 seconds while holding the AUTO key pressed. (----will disappear.)
2. Enter "KCAR" from the remote.
  - Press the 5 key on the remote twice, then press the Track Up key. (This enters "K")
  - Press the 2 key on the remote 3 times, then press the Track Up key. (This enters "C")
  - Press the 2 key on the remote once, then press the Track Up key. (This enters "A")
  - Press the 7 key on the remote twice, then press the Track Up key. (This enters "R")
3. Security function is canceled and the unit enters the All OFF mode.
4. If you commit a mistake in the code entry, the unit enters the code request mode.

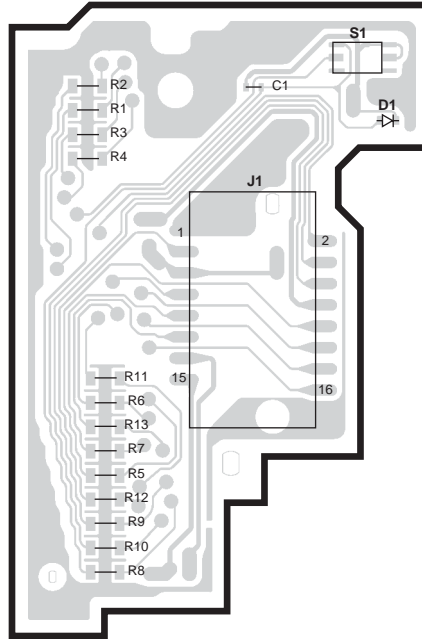
PC BOARD (COMPONENT SIDE VIEW)

ELECTRIC UNIT X34-3090-xx (J74-1453-42)

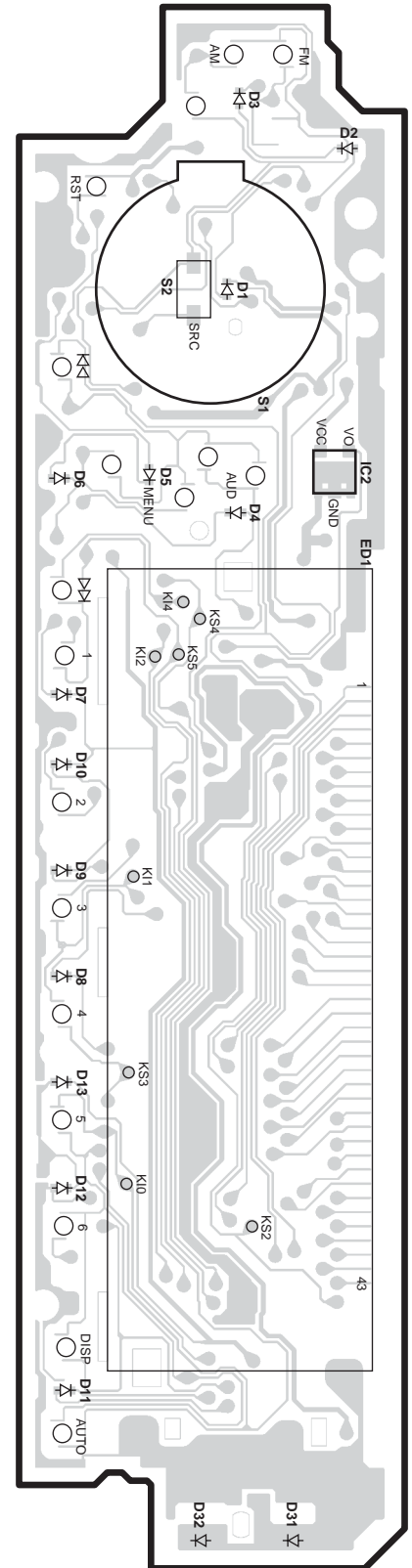




**DAUGHTER UNIT**  
X89-2570-10 (J74-1450-02)



**SWITCH UNIT**  
X16-2500-xx (J74-1569-12)



**X34-3090-xx**

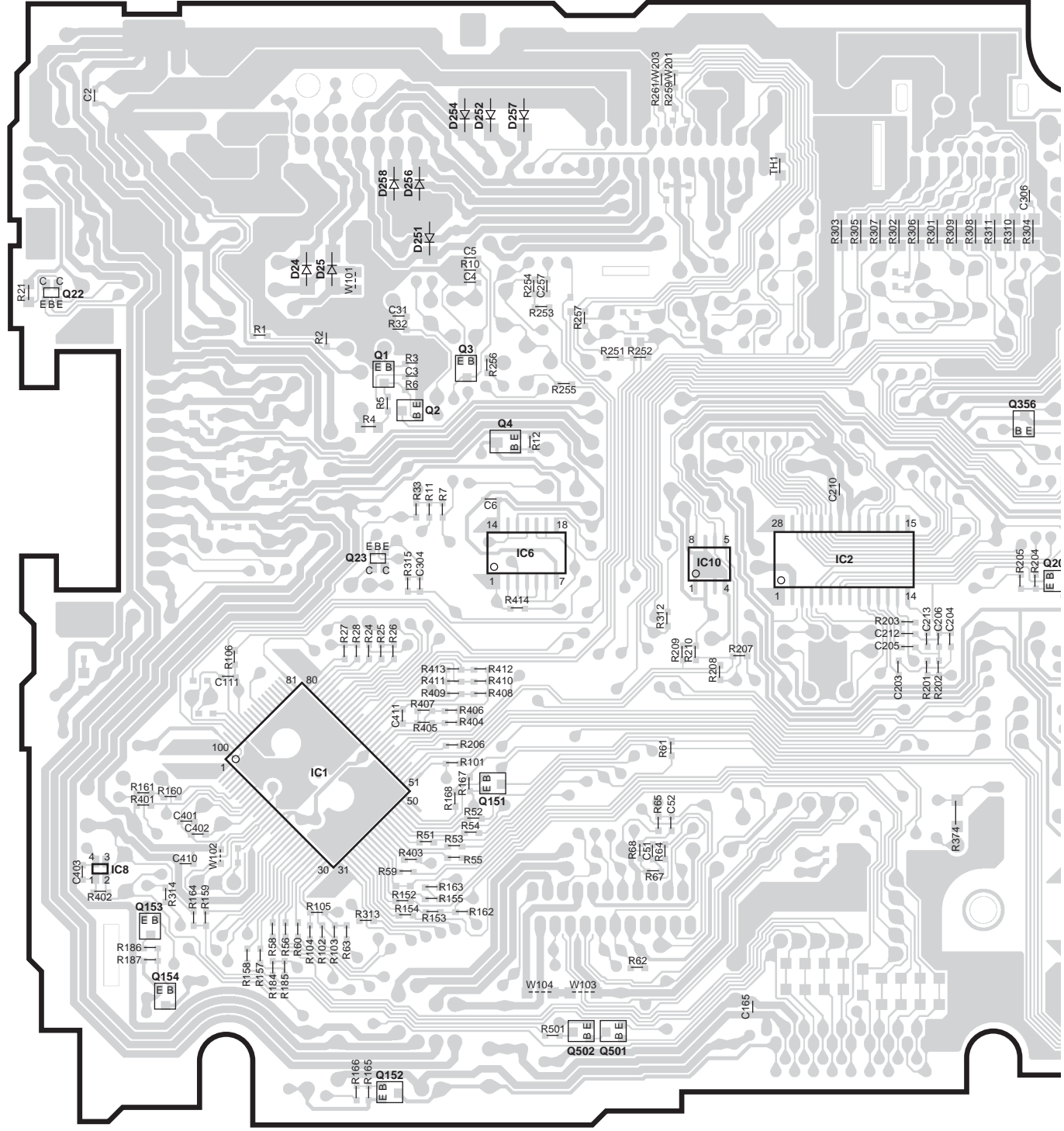
IC	Q	Address
3		3F
4		2C
	21	2G

**X16-2500-xx**

IC	Address
2	3J

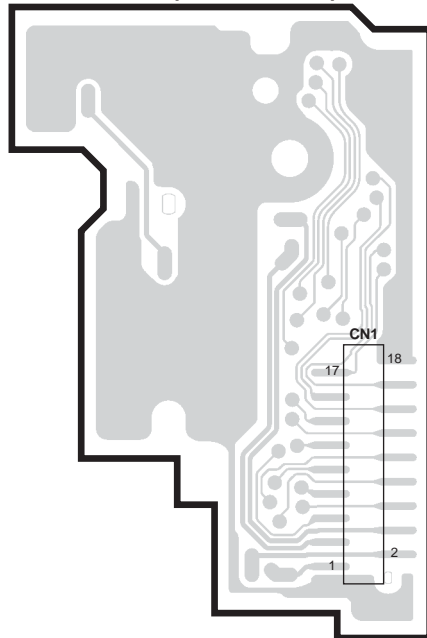
# KDC-3025/325/5026/G PC BOARD (FOIL SIDE VIEW)

## ELECTRIC UNIT X34-3090-xx (J74-1453-42)

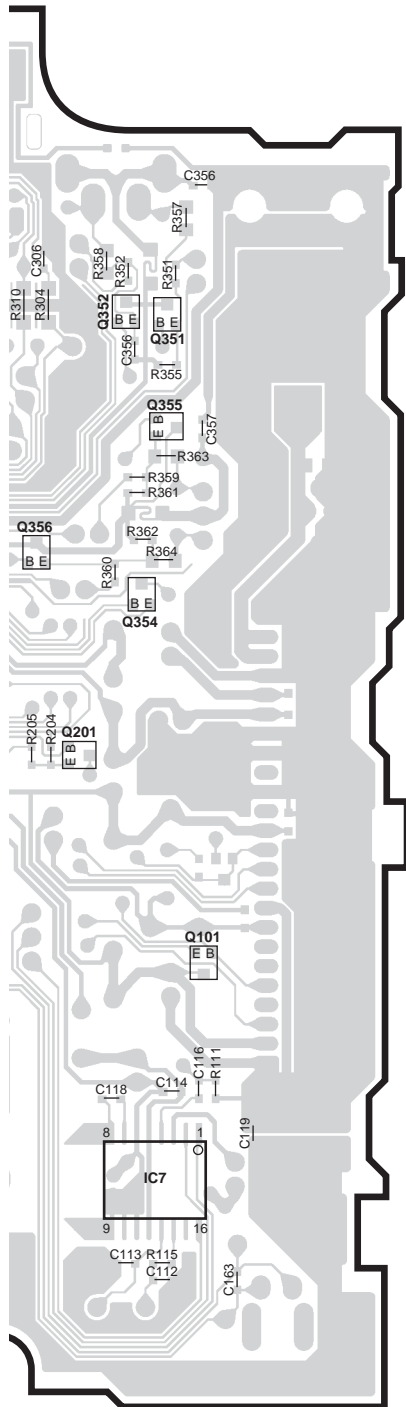
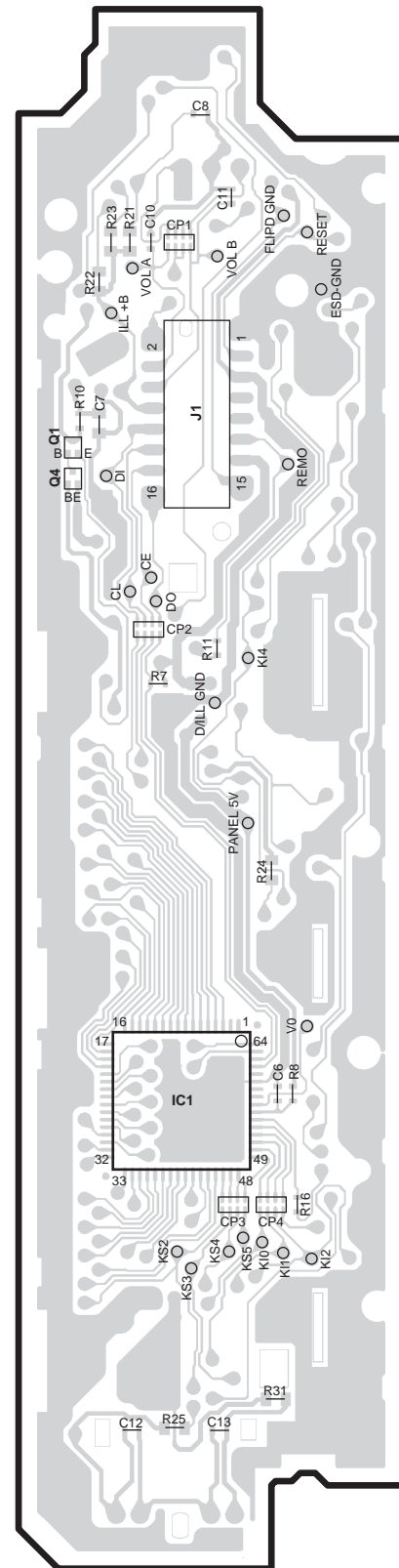


Refer to the schematic diagram for the values of resistors and capacitors.

DAUGHTER UNIT  
X89-2570-10 (J74-1450-02)



SWITCH UNIT  
X16-2500-xx (J74-1569-12)



X34-3090-xx

IC	Q	Address
1		5L
2		4O
6		4M
8		5K
10		4N
	1	3M
	2	3M
	3	3M
	4	3M
	22	3K
	23	4L
	151	5M
	152	6M
	153	5L
	154	6L
	201	4P
	351	2P
	352	2P
	354	3P
	355	3P
	356	3O
	501	6N
	502	6M

X16-2500-xx

IC	Q	Address
1		5S
	1	3S
	4	3S

1

2

3

4

5

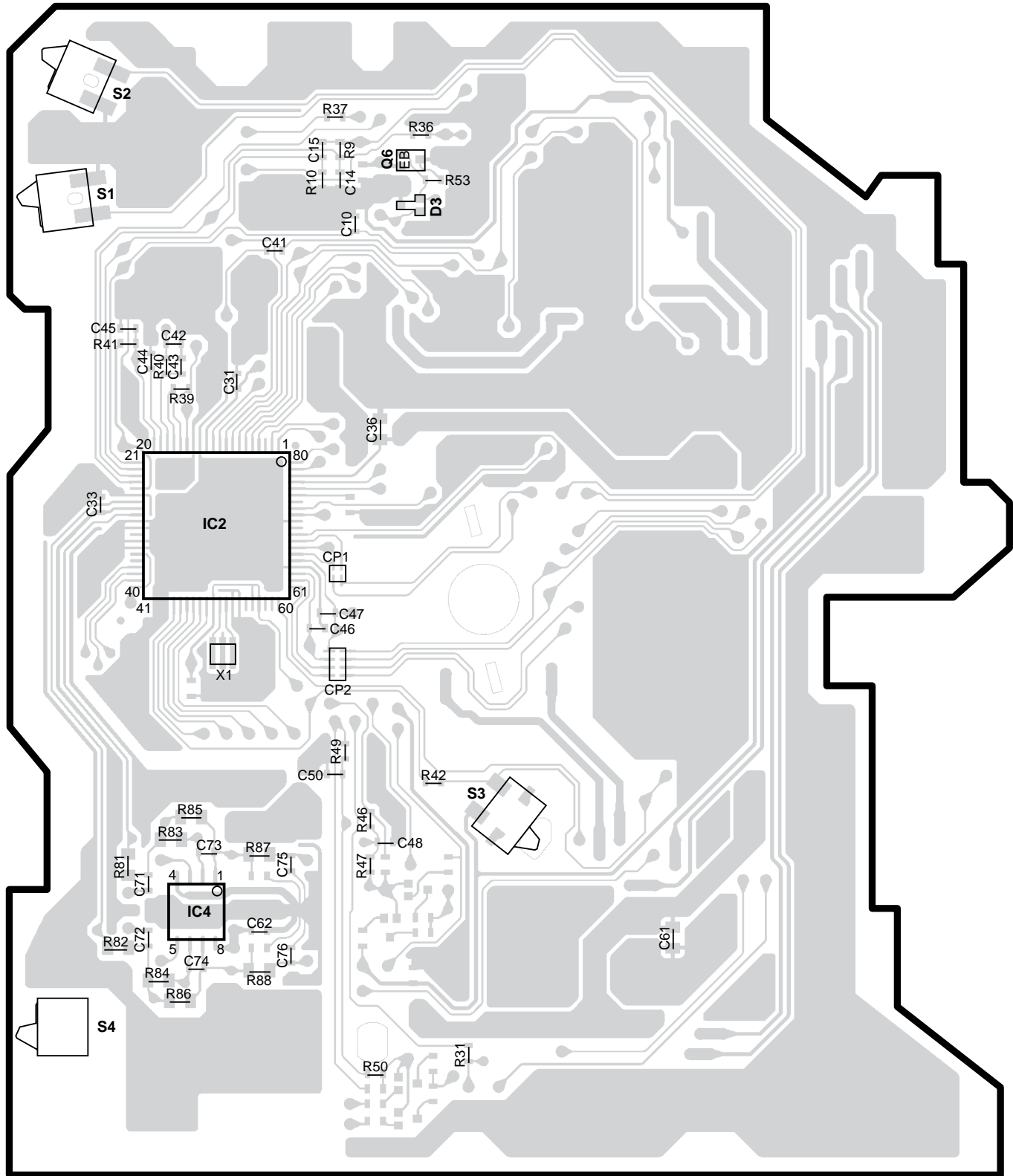
6

7

KDC-3025/325/5026/G

PC BOARD (COMPONENT SIDE VIEW)

CD PLAYER UNIT X32-5390-00 (J74-1485-12)



X32-5390-00

IC	Q	Address
2		4V
4		5V
	6	2W

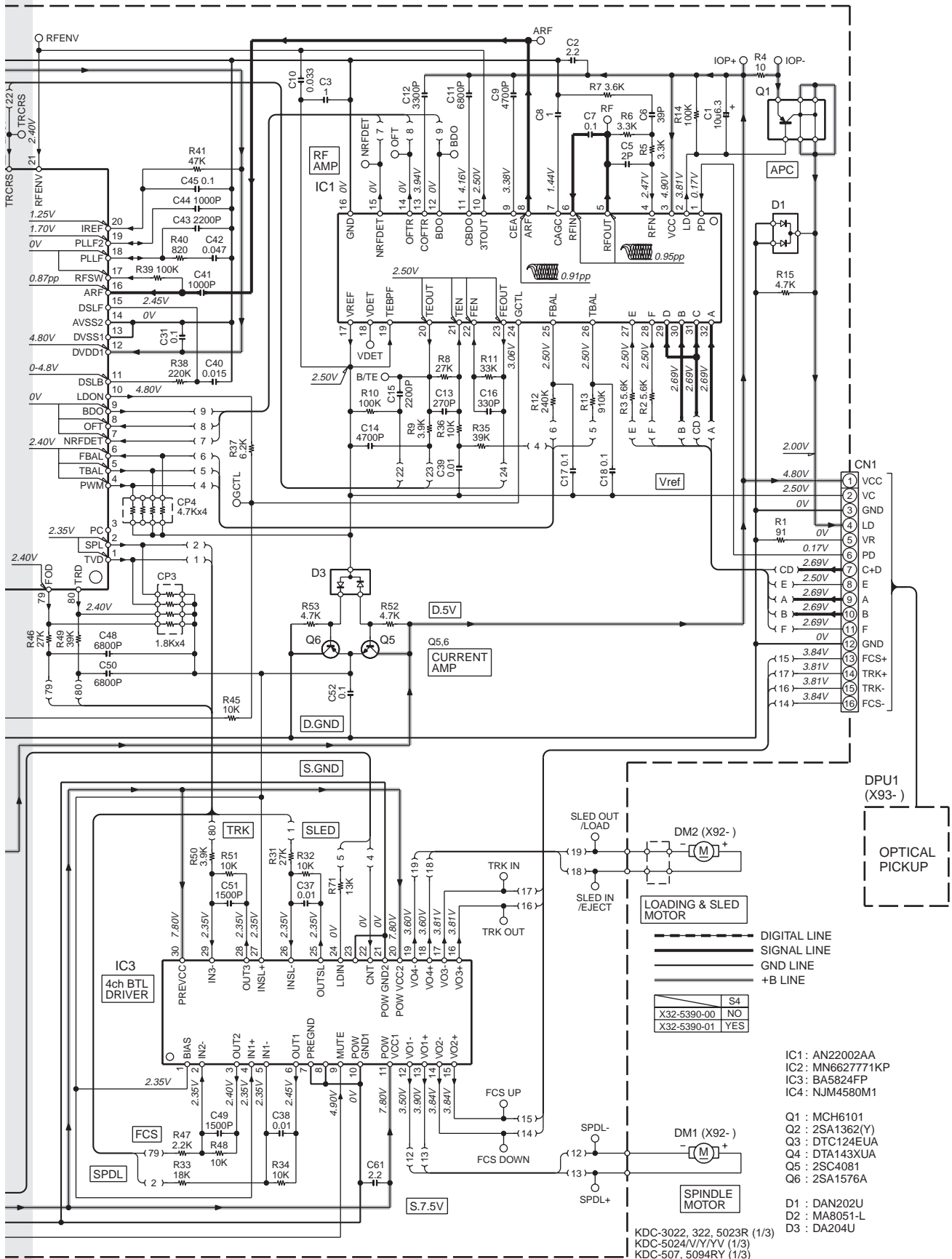
Refer to the schematic diagram for the values of resistors and capacitors.











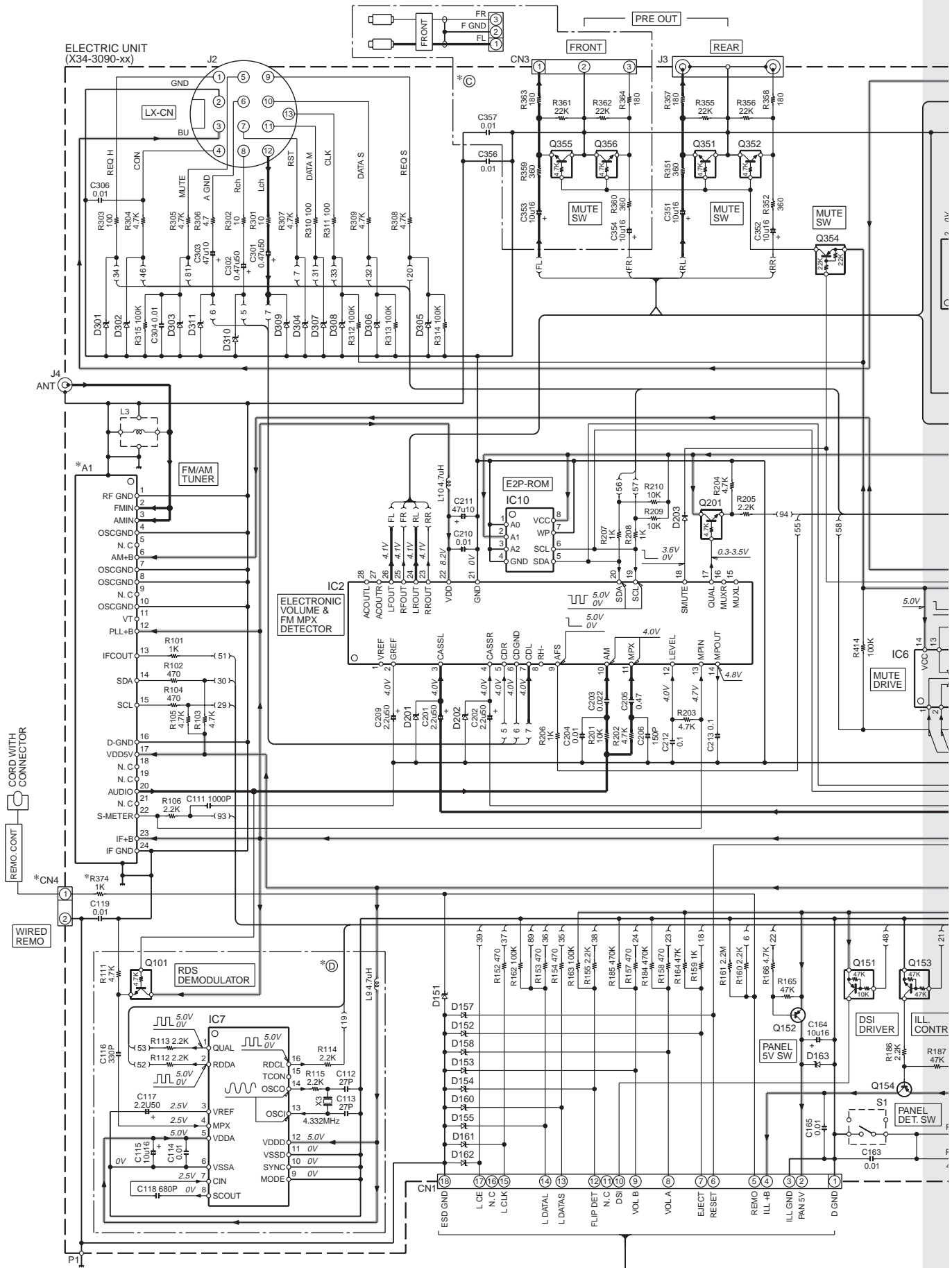
**CAUTION :** For continued safety, replace safety critical components only with manufacturer's recommended parts (refer to parts list).

⚠ Indicates safety critical components. To reduce the risk of electric shock, leakage-current or resistance measurements shall be carried out (exposed parts are acceptably insulated from the supply circuit) before the appliance is returned to the customer.

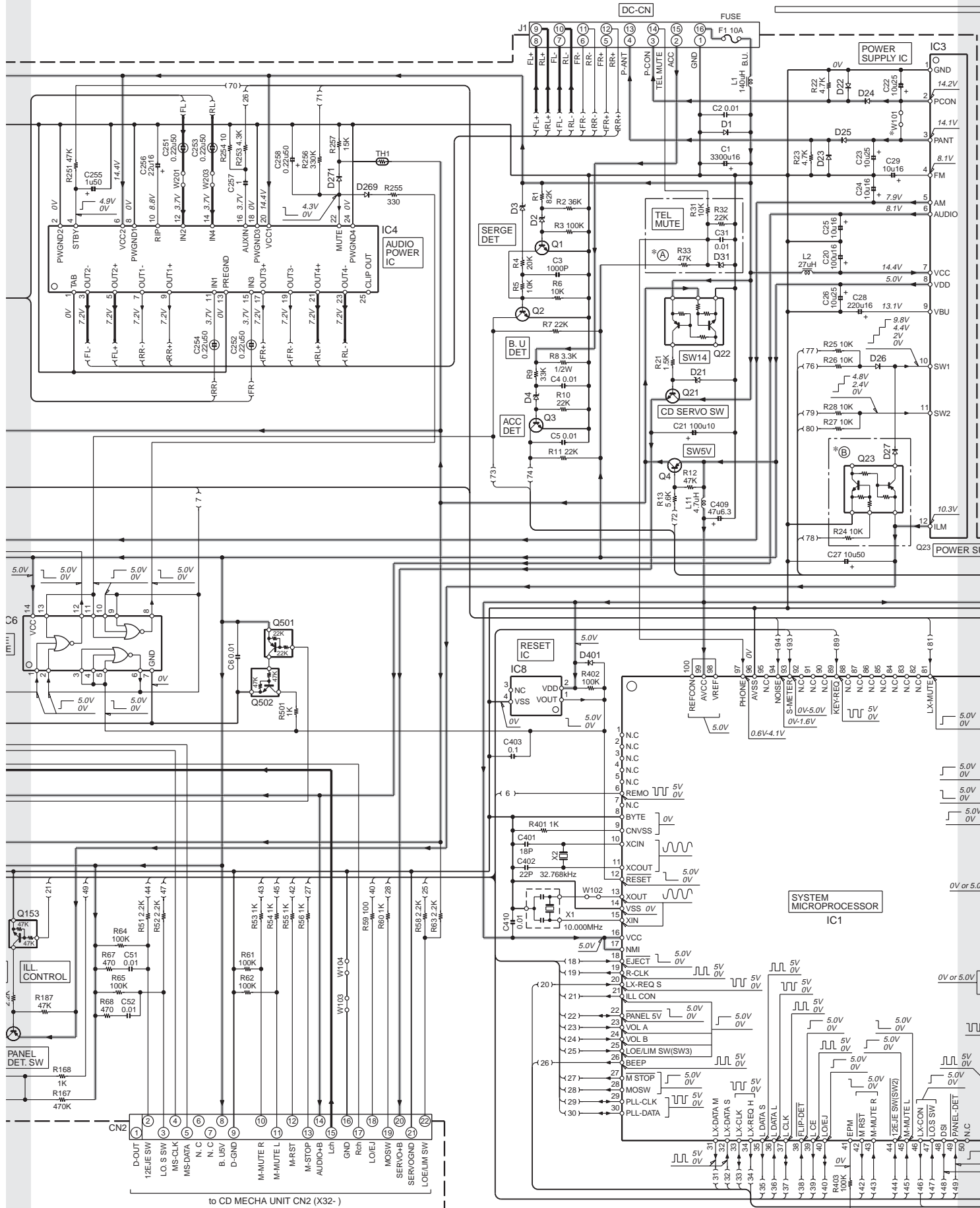
- DC voltages are as measured with a high impedance voltmeter. Values may vary slightly due to variations between individual instruments or/and units.

# KDC-3025/325/5026/G

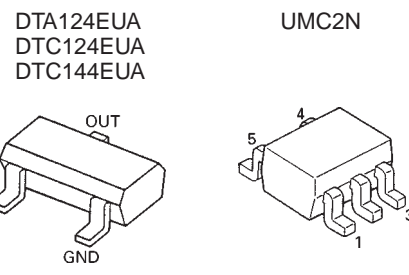
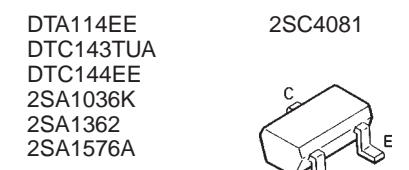
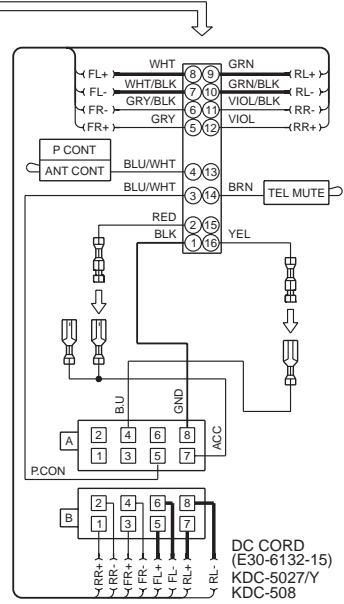
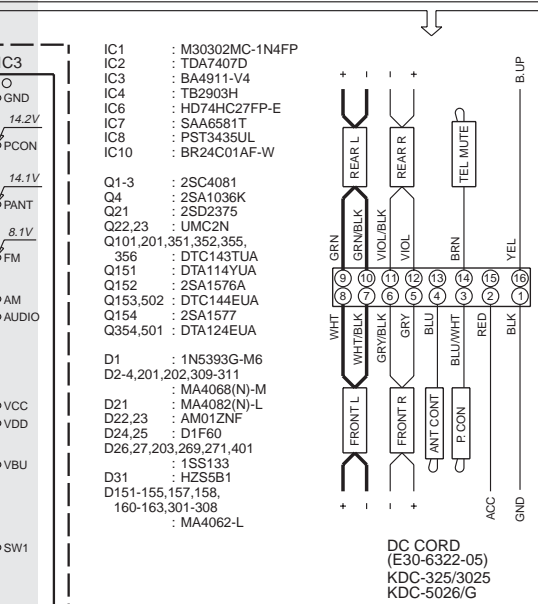
ELECTRIC UNIT  
(X34-3090-xx)



# KDC-3025/325/5026/G

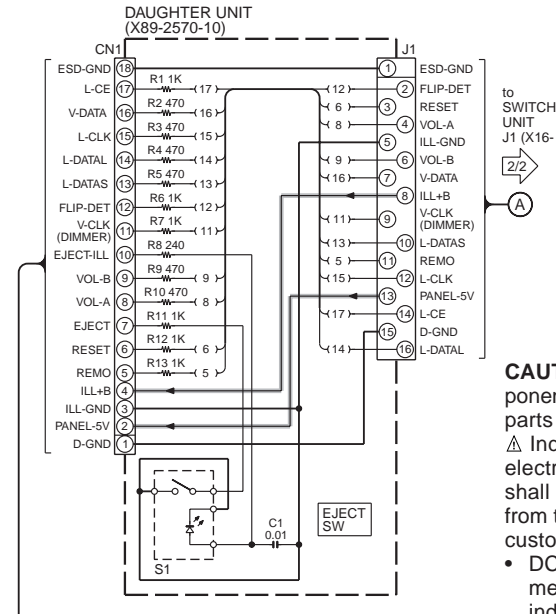
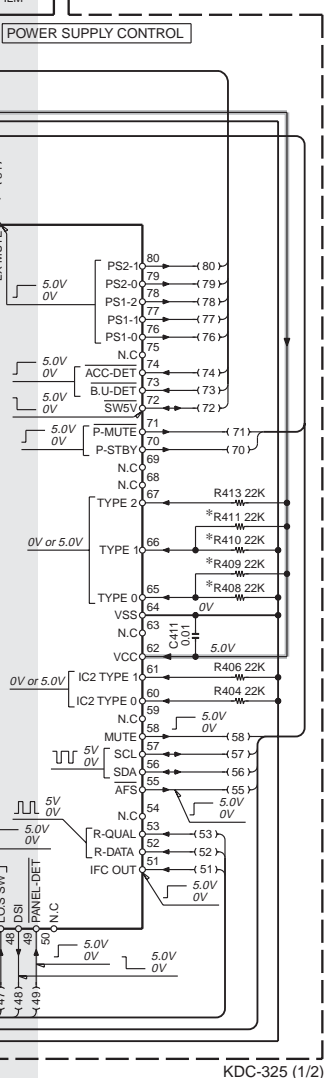
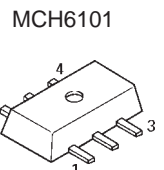
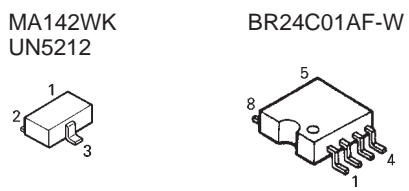
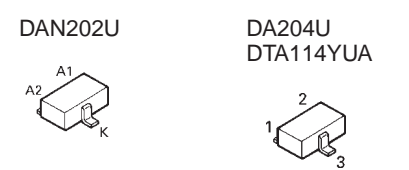


# KDC-3025/325/5026/G



(X34-309x-xx)

MODEL NAME	UNIT No.	(A)	(D)	(B)	(C)	A1	CN4	R374/410	R408	R409	R411	W101
KDC-5027/Y	2-70	YES	NO	NO	NO	X86-3722-70	YES	YES	YES	NO	NO	YES
KDC-3025	0-11	NO	YES	YES	YES	X86-3722-11	NO	YES	NO	YES	NO	NO
KDC-325	0-12	NO	YES	NO	NO	X86-3720-11	NO	YES	NO	YES	NO	NO
KDC-5026/G	0-21	NO	NO	YES	NO	X86-3720-11	NO	NO	NO	YES	YES	NO



**CAUTION :** For continued safety, replace safety critical components only with manufacturer's recommended parts (refer to parts list).

⚠ Indicates safety critical components. To reduce the risk of electric shock, leakage-current or resistance measurements shall be carried out (exposed parts are acceptably insulated from the supply circuit) before the appliance is returned to the customer.

- DC voltages are as measured with a high impedance voltmeter. Values may vary slightly due to variations between individual instruments or/and units.

1

2

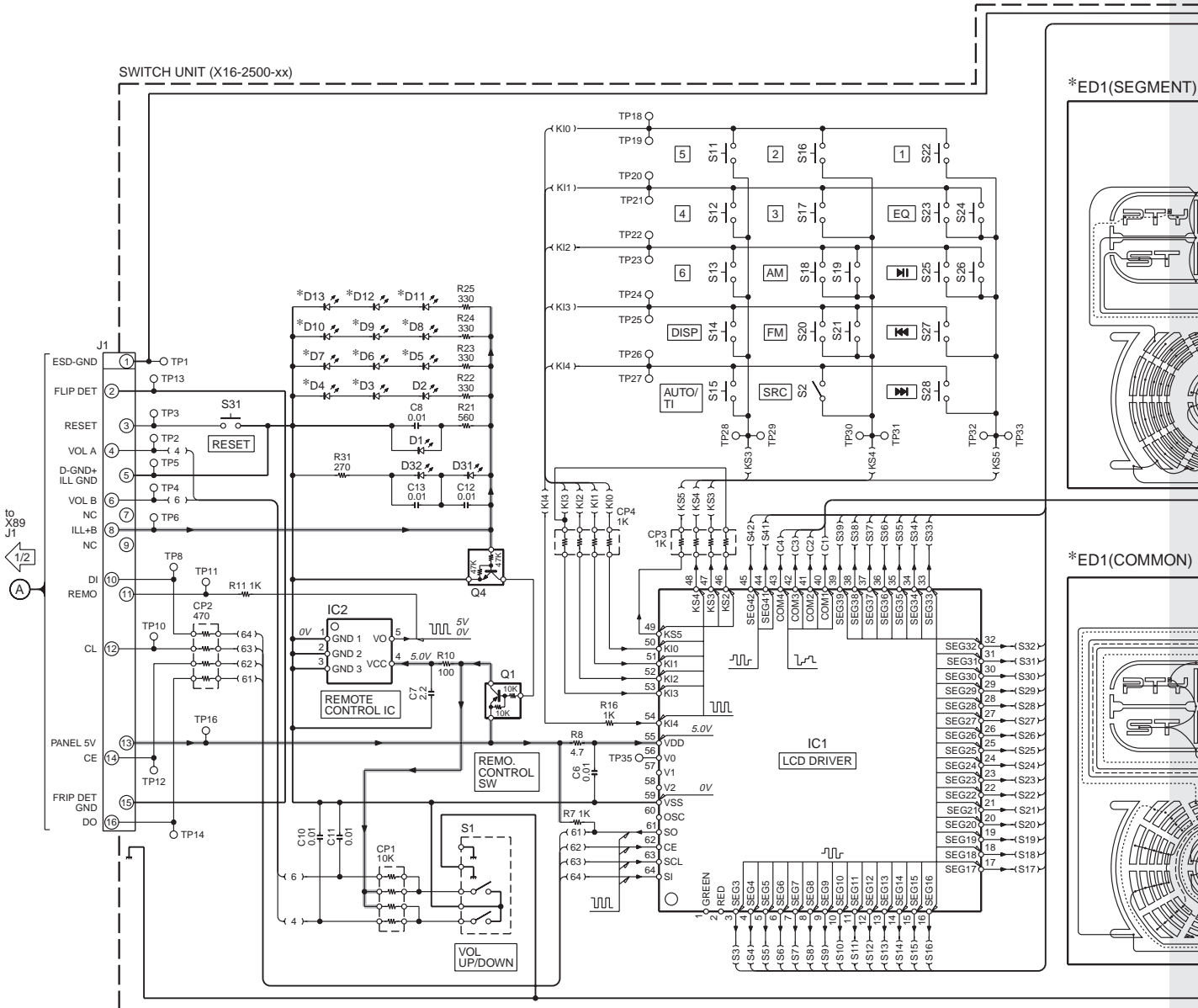
3

4

5

6

7



(X16-2500-xx)

MODEL NAME	UNIT No.	D3-13	ED1
KDC-325	0-11	B30-1566-05	B38-1141-05
KDC-3025	0-11	B30-1566-05	B38-1141-05
KDC-5026/G	0-21	B30-1565-05	B38-1135-05
KRC-669/G	0-21	B30-1565-05	B38-1135-05

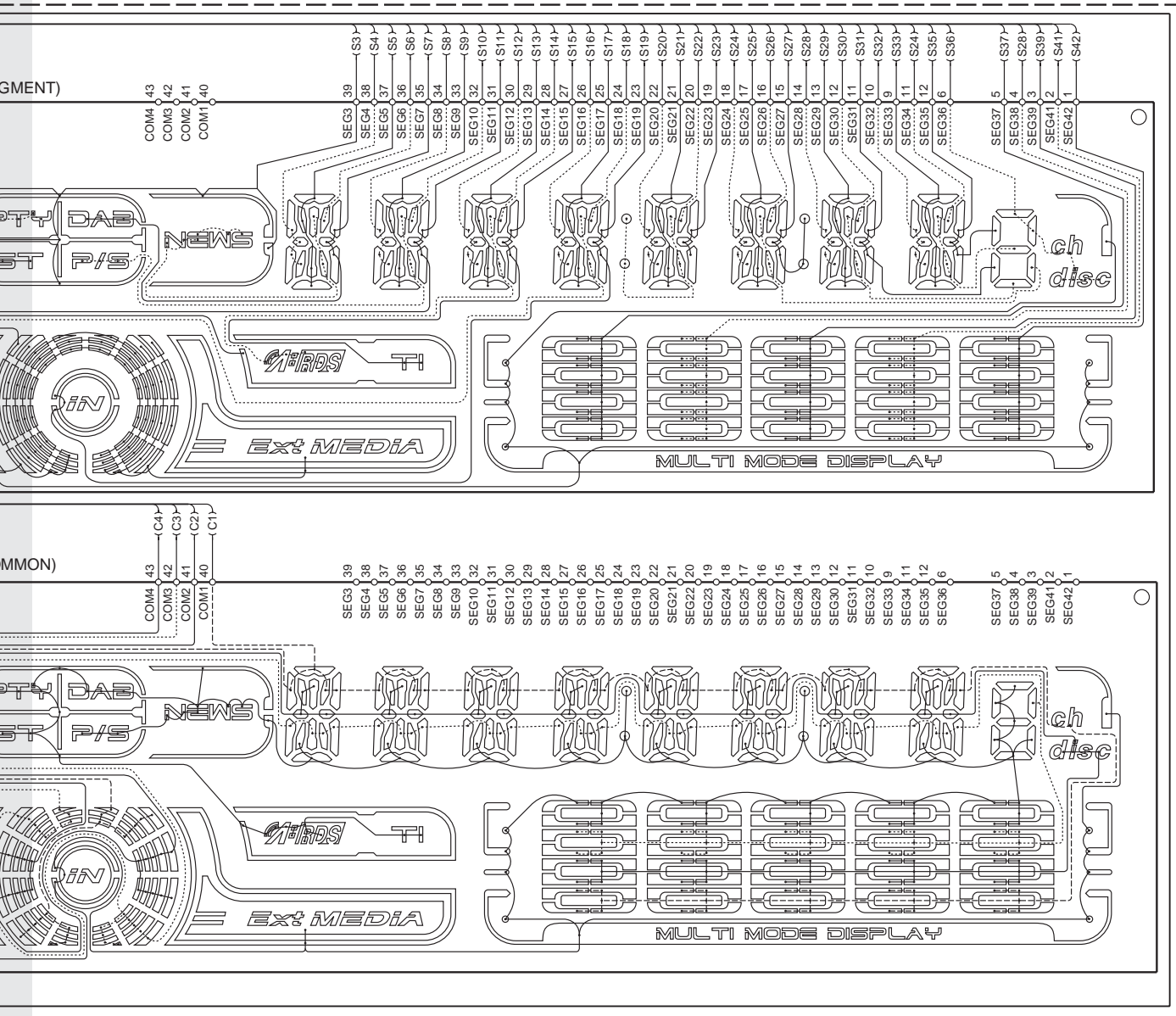
- IC1 : NJU6535
- IC2 : PNA4S22M
- Q1 : DTA114EE
- Q4 : DTC144EE
- D1 : B30-1564-05
- D2 : B30-1566-05
- D3-13 : \*
- D31,32 : B30-1571-05

— GND LINE  
 — +B LINE

\*ED1(SEGMENT)

\*ED1(COMMON)

# KDC-3025/325/5026/G



KDC-325/3025 (2/2)  
KDC-5026/G (2/2)

**CAUTION :** For continued safety, replace safety critical components only with manufacturer's recommended parts (refer to parts list).

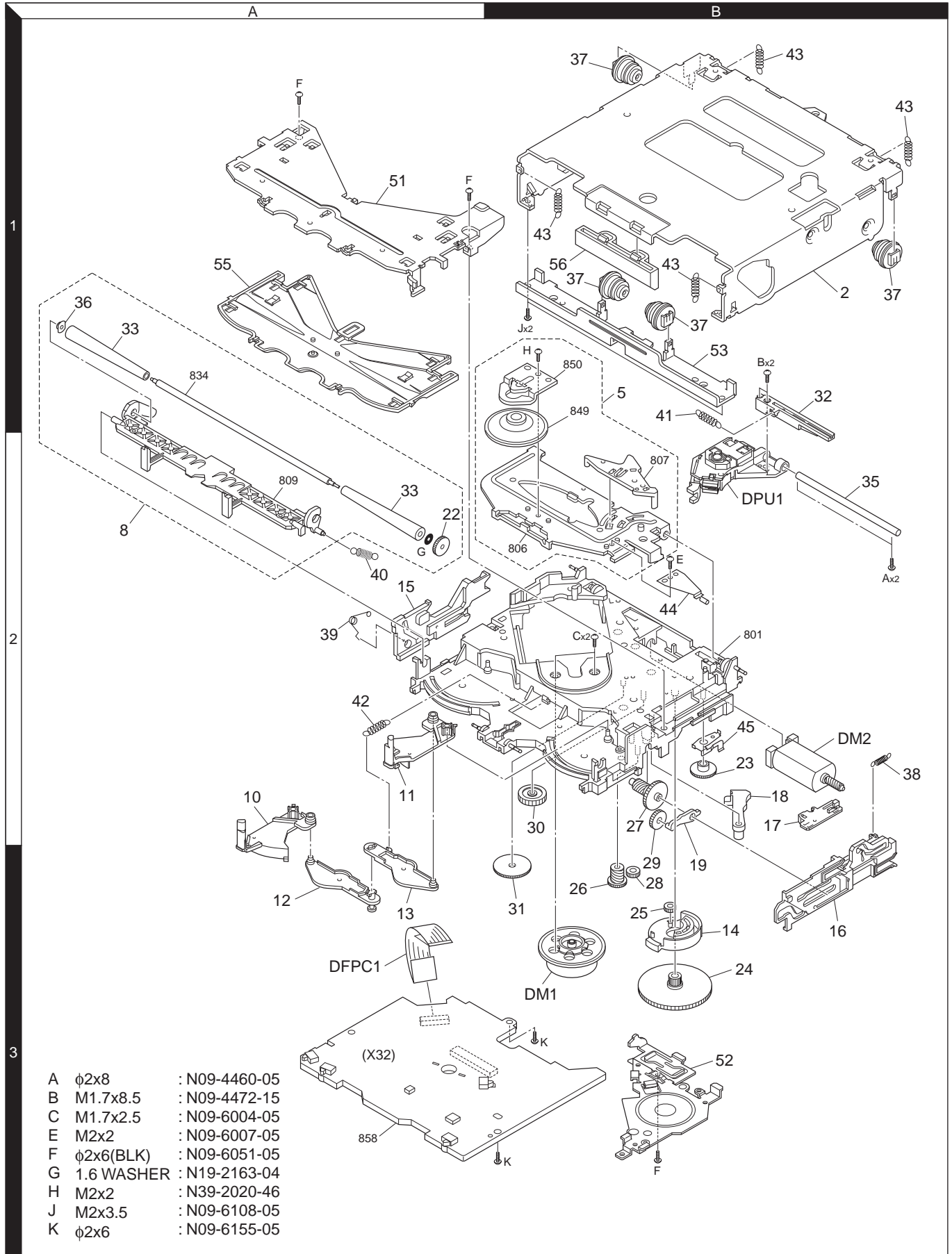
⚠ Indicates safety critical components. To reduce the risk of electric shock, leakage-current or resistance measurements shall be carried out (exposed parts are acceptably insulated from the supply circuit) before the appliance is returned to the customer.

- DC voltages are as measured with a high impedance voltmeter. Values may vary slightly due to variations between individual instruments or/and units.

1  
2  
3  
4  
5  
6  
7

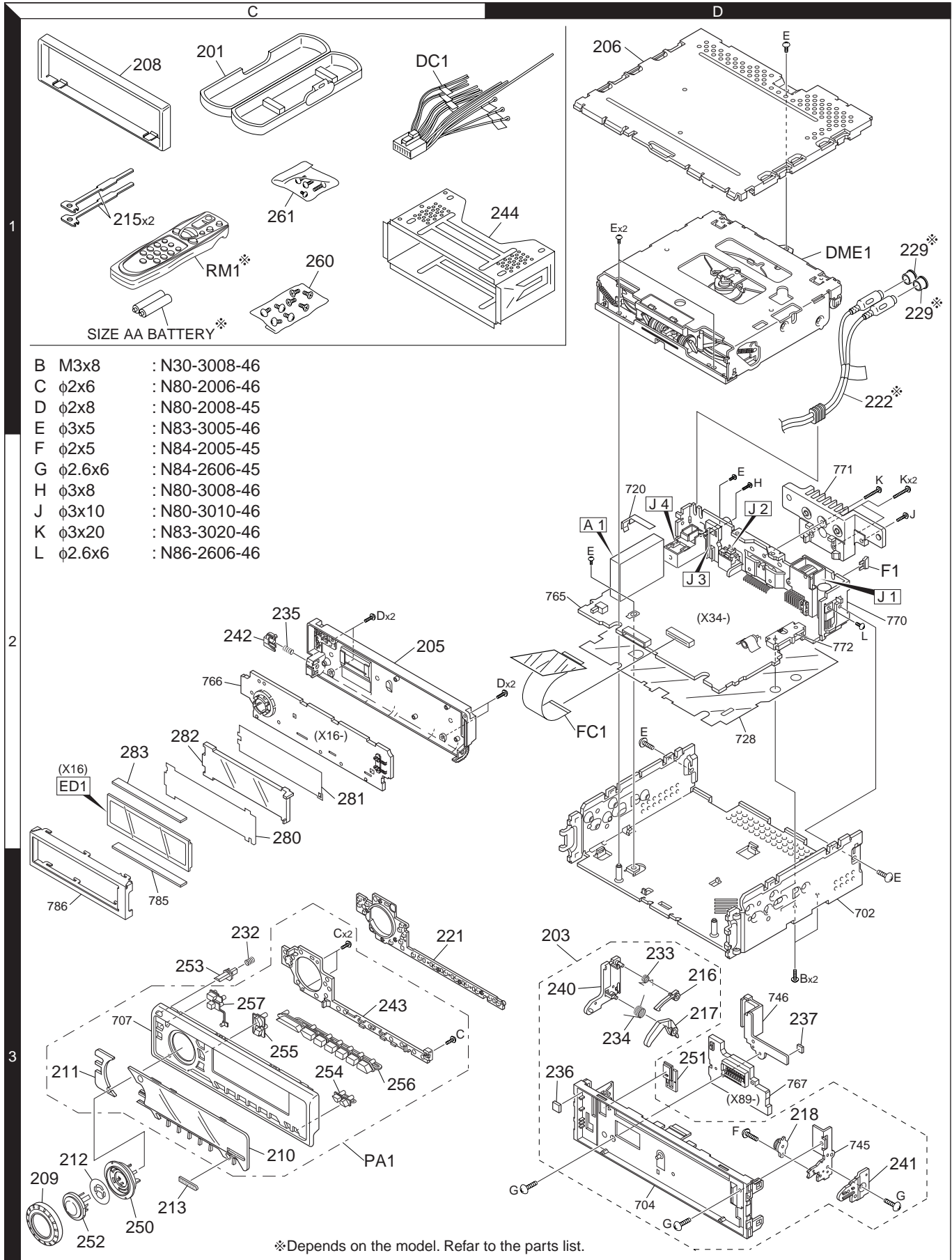


## EXPLODED VIEW (MECHANISM)



# KDC-3025/325/5026/G

## EXPLODED VIEW (UNIT)





## PARTS LIST

\* New parts

Parts without **Parts No.** are not supplied.

Les articles non mentionnés dans le **Parts No.** ne sont pas fournis.

Teile ohne **Parts No.** werden nicht geliefert.

Ref. No.	A d d	N e w	Parts No.	Description	Desti- nation
<b>KDC-3025/325/5026/5026G</b>					
201	1C		A02-1486-13	PLASTIC CABINET ASSY	
203	3D		A22-2982-22	SUB PANEL ASSY	
205	2C	*	A46-1797-01	REAR COVER	
206	1D		A52-0829-02	TOP PLATE	
PA1	3C	*	A64-3183-12	PANEL ASSY	K
PA1	3C	*	A64-3185-12	PANEL ASSY	K1
PA1	3C	*	A64-3190-12	PANEL ASSY	M
PA1	3C	*	A64-3191-12	PANEL ASSY	M1
RM1	1C		A70-2040-05	REMOTE CONTROLLER ASSY (RC-505)	KK1M1
-			B46-0100-50	WARRANTY CARD	
-			B46-0606-04	ID CARD	KK1
-			B46-0612-14	ID CARD	MM1
-		*	B46-0653-03	USER CARD	KK1
-		*	B64-2694-00	INSTRUC. MANUAL (ENG.FRE.SPA.)	KK1
-		*	B64-2697-00	INSTRUCTION MANUAL (ENG.T-CHI.)	MM1
-		*	B64-2698-00	INSTRUCTION MANUAL (ARABIC)	MM1
208	1C		B07-3083-02	ESCUTCHEON	M
208	1C		B07-3098-02	ESCUTCHEON	KM1
208	1C	*	B07-3100-02	ESCUTCHEON	K1
209	3C	*	B09-0533-03	CAP (ROTARY)	
210	3C	*	B10-4471-11	FRONT GLASS	K
210	3C	*	B10-4473-11	FRONT GLASS	K1
210	3C	*	B10-4478-11	FRONT GLASS	M
210	3C	*	B10-4479-11	FRONT GLASS	M1
211	3C	*	B10-4493-12	FRONT GLASS	KK1M1
211	3C	*	B10-4496-12	FRONT GLASS	M
212	3C	*	B11-1440-04	OPTICAL DIFFUSER	
213	3C	*	B43-1518-04	BADGE	
215	1C		D10-4589-04	LEVER	
216	3D		D10-4730-03	LEVER (LOCK)	
217	3D		D10-4731-03	LEVER (PUSH)	
218	3D		D39-0255-05	DAMPER	
221	3C	*	E29-1967-02	CONDUCTIVE RUBBER	
222	1D		E30-6229-05	CORD WITH PINPLUG (1PRE FRONT)	K1
DC1	1C		E30-6322-05	DC CORD	
FC1	2D		E39-0476-05	FLAT CABLE (22PIN)	
229	1D		F29-0626-04	INSULATING COVER	K1
△ F1	2D		F52-0006-05	FUSE (MINI BLADE TYPE) (32V 10A)	
232	3C		G01-3203-04	COMPRESSION SPRING	
233	3D		G01-3171-04	TORSION COIL SPRING (LOCK)	
234	3D		G01-3172-04	TORSION COIL SPRING (PUSH)	
235	2C		G01-3173-04	COMPRESSION SPRING (REAR COVER)	
236	3D		G13-1267-04	CUSHION	
237	3D	*	G13-1273-04	CUSHION	
-			H10-4856-12	POLYSTYRENE FOAMED FIXTURE	
-		*	H13-2043-04	CARTON BOARD	K1
-			H25-0329-04	PROTECTION BAG (280X450X0.03)	
-			H25-0337-04	PROTECTION BAG (180X300X0.03)	
-		*	H54-3003-03	ITEM CARTON CASE	K
-		*	H54-3004-03	ITEM CARTON CASE	K1

Ref. No.	A d d	N e w	Parts No.	Description	Desti- nation
-		*	H54-3011-03	ITEM CARTON CASE	M1
-		*	H54-3012-03	ITEM CARTON CASE	M
240	3D		J19-5203-03	HOLDER (LEFT)	
241	3D		J19-5204-03	HOLDER (RIGHT)	
242	2C		J19-5205-03	HOLDER (REAR COVER)	
243	3C	*	J19-5271-02	HOLDER	
244	1D		J22-0011-03	MOUNTING HARDWARE ASSY	
250	3C	*	K23-1081-03	KNOB (ROTARY)	
251	3D		K24-4000-03	KNOB (EJECT)	
252	3C	*	K24-4102-03	KNOB (SRC)	
253	3C	*	K24-4103-04	KNOB (REL)	
254	3C	*	K25-1593-03	KNOB (AUTO/CLK)	
255	3C	*	K25-1594-03	KNOB (PLAY/Q)	
256	3C	*	K25-1641-02	KNOB (PRESET)	
257	3C	*	K25-1642-03	KNOB (FM/AM)	
260	1C		N99-1719-05	SCREW SET	
261	1C		N99-1730-15	SCREW SET (TENJI)	
B	3D		N30-3008-46	PAN HEAD MACHINE SCREW (M3X8)	
C	3C		N80-2006-46	PAN HEAD TAPTITE SCREW (2X6)	
D	2C		N80-2008-45	PAN HEAD TAPTITE SCREW (2X8)	
E	1D		N83-3005-46	PAN HEAD TAPTITE SCREW (3X5)	
F	3D		N84-2005-45	PAN HEAD TAPTITE SCREW	
G	3D		N84-2606-45	PAN HEAD TAPTITE SCREW (2.6X6)	
DME1	1D		X92-4650-00	CD MECHANISM ASSY	
<b>SWITCH UNIT (X16-2500-xx)</b>					
280	2D	*	B11-1439-04	OPTICAL DIFFUSER	
281	2D	*	B11-1441-04	REFLECTION SHEET	
282	2D	*	B19-2243-02	LIGHTING BOARD	
D1			B30-1564-05	LED (1608,BLUE)	
D2			B30-1566-05	LED (1608,RED)	MM1
D2-13			B30-1566-05	LED (1608,RED)	KK1
D3-13			B30-1565-05	LED (1608,PG)	MM1
D31,32			B30-1571-05	LED (WHITE)	
ED1		*	B38-1135-05	LIQUID CRYSTAL	MM1
ED1		*	B38-1141-05	LIQUID CRYSTAL	KK1
C6			CK73GB1H103K	CHIP C 0.010UF	K
C7			CK73FB1A225K	CHIP C 2.2UF	K
C8			CK73GB1H103K	CHIP C 0.010UF	K
C10-13			CK73GB1H103K	CHIP C 0.010UF	K
283	2D	*	E29-1968-04	CONDUCTIVE RUBBER	
J1			E59-0829-05	RECTANGULAR PLUG	
CP1			R90-0714-05	MULTI-COMP 10K X4	
CP2			R90-1016-05	MULTI-COMP 470 X4	
CP3,4			R90-0724-05	MULTI-COMP 1K X4	
R7			RK73GB2A102J	CHIP R 1.0K	J 1/10W
R8			RK73GB2A4R7J	CHIP R 4.7	J 1/10W
R10			RK73GB2A101J	CHIP R 100	J 1/10W
R11			RK73GB2A102J	CHIP R 1.0K	J 1/10W
R16			RK73GB2A102J	CHIP R 1.0K	J 1/10W
R21			RK73FB2B561J	CHIP R 560	J 1/8W
R22-25			RK73FB2B331J	CHIP R 330	J 1/8W
R31			RK73FB2B271J	CHIP R 270	J 1/8W

K : KDC-325 K1 : KDC-3025 M : KDC-5026G M1 : KDC-5026  
(K : North America M : Other Areas)

△ Indicates safety critical components.

## PARTS LIST

\* New parts

Parts without **Parts No.** are not supplied.

Les articles non mentionnés dans le **Parts No.** ne sont pas fournis.

Teile ohne **Parts No.** werden nicht geliefert.

### SWITCH UNIT (X16-2500-xx)

Ref. No.	A d	N e w	Parts No.	Description	Desti- nation
S2			S70-0814-05	TACT SWITCH	
S1		*	T99-0449-05	ROTARY ENCODER	
IC1			NJU6535	MOS-IC	
IC2			PNA4S22M	ANALOGUE IC	
Q1			DTA114EE	DIGITAL TRANSISTOR	
Q4			DTC144EE	DIGITAL TRANSISTOR	
<b>CD PLAYER UNIT (X32-5390-00)</b>					
C1			C92-0566-05	CHIP-TAN 10UF 6.3WV	
C2			CK73FB1A225K	CHIP C 2.2UF K	
C3			CK73GB0J105K	CHIP C 1.0UF K	
C5			CC73GCH1H020C	CHIP C 2.0PF C	
C6			CC73GCH1H390J	CHIP C 39PF J	
C7			CK73GB1C104K	CHIP C 0.10UF K	
C8			CK73GB0J105K	CHIP C 1.0UF K	
C9			CK73GB1H472K	CHIP C 4700PF K	
C10			CK73GB1C333K	CHIP C 0.033UF K	
C11			CK73GB1H682K	CHIP C 6800PF K	
C12			CK73GB1H332K	CHIP C 3300PF K	
C13			CC73GCH1H271J	CHIP C 270PF J	
C14			CK73GB1H472K	CHIP C 4700PF K	
C15			CK73GB1H222K	CHIP C 2200PF K	
C16			CC73GCH1H331J	CHIP C 330PF J	
C17,18			CK73GB1C104K	CHIP C 0.10UF K	
C31-34			CK73GB1C104K	CHIP C 0.10UF K	
C36			CK73FB1A225K	CHIP C 2.2UF K	
C37-39			CK73GB1H103K	CHIP C 0.010UF K	
C40			CK73GB1H153K	CHIP C 0.015UF K	
C41			CK73GB1H102K	CHIP C 1000PF K	
C42			CK73GB1E473K	CHIP C 0.047UF K	
C43			CK73GB1H222K	CHIP C 2200PF K	
C44			CK73GB1H102K	CHIP C 1000PF K	
C45-47			CK73GB1C104K	CHIP C 0.10UF K	
C48			CK73GB1H682K	CHIP C 6800PF K	
C49			CK73GB1H152K	CHIP C 1500PF K	
C50			CK73GB1H472K	CHIP C 4700PF K	
C51			CK73GB1H681K	CHIP C 680PF K	
C52			CK73GB1C104K	CHIP C 0.10UF K	
C61			CK73FB1A225K	CHIP C 2.2UF K	
C62			CK73GB1C104K	CHIP C 0.10UF K	
C71,72			CK73GB1H471K	CHIP C 470PF K	
C73,74			CC73GCH1H680J	CHIP C 68PF J	
C75,76			CK73GB1H222K	CHIP C 2200PF K	
C77,78			CK73GB1C104K	CHIP C 0.10UF K	
C100-102			CK73GB1H102K	CHIP C 1000PF K	
CN1			E40-9536-05	FLAT CABLE CONNECTOR	
CN1			E41-0193-05	FLAT CABLE CONNECTOR	
CN2			E40-9339-05	FLAT CABLE CONNECTOR	
CN2			E41-0129-05	FLAT CABLE CONNECTOR	
X1			L78-0851-05	RESONATOR (16.93MHZ)	
CP1			R90-1019-05	MULTI-COMP 100 X2	
CP2			R90-1014-05	MULTI-COMP 100 X4	
CP3			R90-0974-05	MULT R 1.8K X4	

Ref. No.	A d	N e w	Parts No.	Description	Desti- nation
CP4			R90-0718-05	MULTI-COMP 4.7K X4	
CP5			R90-0720-05	MULTI-COMP 100K X4	
R1			RK73GB2A910J	CHIP R 91 J 1/10W	
R2,3			RK73GB2A562J	CHIP R 5.6K J 1/10W	
R4			RK73FB2B100J	CHIP R 10 J 1/8W	
R5,6			RK73GB2A332J	CHIP R 3.3K J 1/10W	
R7			RK73GB2A362J	CHIP R 3.6K J 1/10W	
R8			RK73GB2A273J	CHIP R 27K J 1/10W	
R9			RK73GB2A392J	CHIP R 3.9K J 1/10W	
R10			RK73GB2A104J	CHIP R 100K J 1/10W	
R11			RK73GB2A333J	CHIP R 33K J 1/10W	
R12			RK73GB2A244J	CHIP R 240K J 1/10W	
R13			RK73GB2A914J	CHIP R 910K J 1/10W	
R14			RK73GB2A104J	CHIP R 100K J 1/10W	
R15			RK73GB2A472J	CHIP R 4.7K J 1/10W	
R31			RK73GB2A273J	CHIP R 27K J 1/10W	
R32			RK73GB2A103J	CHIP R 10K J 1/10W	
R33			RK73GB2A183J	CHIP R 18K J 1/10W	
R34			RK73GB2A103J	CHIP R 10K J 1/10W	
R35			RK73GB2A393J	CHIP R 39K J 1/10W	
R36			RK73GB2A103J	CHIP R 10K J 1/10W	
R37			RK73GB2A622J	CHIP R 6.2K J 1/10W	
R38			RK73GB2A224J	CHIP R 220K J 1/10W	
R39			RK73GB2A104J	CHIP R 100K J 1/10W	
R40			RK73GB2A821J	CHIP R 820 J 1/10W	
R41			RK73GB2A473J	CHIP R 47K J 1/10W	
R42			RK73GB2A472J	CHIP R 4.7K J 1/10W	
R43			RK73GB2A102J	CHIP R 1.0K J 1/10W	
R44,45			RK73GB2A103J	CHIP R 10K J 1/10W	
R46			RK73GB2A273J	CHIP R 27K J 1/10W	
R47			RK73GB2A222J	CHIP R 2.2K J 1/10W	
R48			RK73GB2A103J	CHIP R 10K J 1/10W	
R49			RK73GB2A473J	CHIP R 47K J 1/10W	
R50			RK73GB2A392J	CHIP R 3.9K J 1/10W	
R51			RK73GB2A103J	CHIP R 10K J 1/10W	
R52,53			RK73GB2A472J	CHIP R 4.7K J 1/10W	
R71			RK73GB2A133J	CHIP R 13K J 1/10W	
R72			RK73FB2B201J	CHIP R 200 J 1/8W	
R81-86			RK73FB2B203J	CHIP R 20K J 1/8W	
R87,88			RK73FB2B331J	CHIP R 330 J 1/8W	
R89,90			RK73GB2A332J	CHIP R 3.3K J 1/10W	
R91,92			RK73GB2A562J	CHIP R 5.6K J 1/10W	
R94			RK73GB2A104J	CHIP R 100K J 1/10W	
R100			RK73GB2A100J	CHIP R 10 J 1/10W	
S1,2			S68-0863-05	PUSH SWITCH	
S3			S68-0862-05	PUSH SWITCH	
D1			DAN202U	DIODE	
D1			MA142WK	DIODE	
D2			MA8051-L	ZENER DIODE	
D3			DA204U	DIODE	
IC1			AN22002AA	ANALOGUE IC	
IC2			MN6627771KP	MOS-IC	
IC3			BA5824FP	ANALOGUE IC	
IC4			NJM4580M1	ANALOGUE IC	

K : KDC-325 K1 : KDC-3025 M : KDC-5026G M1 : KDC-5026

(K : North America M : Other Areas)

△ Indicates safety critical components.

## PARTS LIST

\* New parts

Parts without **Parts No.** are not supplied.

Les articles non mentionnés dans le **Parts No.** ne sont pas fournis.

Teile ohne **Parts No.** werden nicht geliefert.

### CD PLAYER UNIT (X32-5390-00)

Ref. No.	Add	New	Parts No.	Description	Destination	Ref. No.	Add	New	Parts No.	Description	Destination
Q1			MCH6101	TRANSISTOR		CN2			E40-9550-05	FLAT CABLE CONNECTOR	
Q2			2SA1362(Y)	TRANSISTOR		CN3			E40-3238-05	PIN ASSY	K1
Q3			DTC124EUA	DIGITAL TRANSISTOR		J1			E58-0863-15	RECTANGULAR RECEPTACLE	
Q3			UN5212	DIGITAL TRANSISTOR		J2			E56-0834-05	CYLINDRICAL RECEPTACLE	
Q4			DTA143XUA	DIGITAL TRANSISTOR		J3			E63-0887-05	PIN JACK	
Q5			2SC4081	TRANSISTOR		J4			E04-0312-05	RF COAXIAL CABLE RECEPTACLE	
Q6			2SA1576A	TRANSISTOR		L1			L33-1170-05	CHOKO COIL ASSY	
<b>ELECTRIC UNIT (X34-3090-xx)</b>						L2			L33-1926-05	CHOKO COIL	
C1			C94-0216-05	ELECTRO 3300UF 16WV		L3			L33-1123-05	LINE FILTER COIL	
C2			CK73GB1H103K	CHIP C 0.010UF K		L10,11			L40-4795-91	SMALL FIXED INDUCTOR (4.7UH,J)	
C3			CK73GB1H102K	CHIP C 1000PF K		X1			L78-0879-05	RESONATOR (10.0MHZ)	
C4-6			CK73GB1H103K	CHIP C 0.010UF K		X2			L77-2793-05	CRYSTAL RESONATOR	
C20			C90-2962-05	ELECTRO 100UF 16WV		E	2D		N83-3005-46	PAN HEAD TAPTITE SCREW	
C21			CD04AS1A101M	ELECTRO 100UF 10WV		H	2D		N80-3008-46	PAN HEAD TAPTITE SCREW	
C22,23			CD04AS1E100M	ELECTRO 10UF 25WV		J	2D		N80-3010-46	PAN HEAD TAPTITE SCREW	
C24,25			CD04AS1C100M	ELECTRO 10UF 16WV		K	2D		N83-3020-46	PAN HEAD TAPTITE SCREW	
C26			CD04AS1E100M	ELECTRO 10UF 25WV		L	2D		N86-2606-46	BINDING HEAD TAPTITE SCREW	
C27			CD04AT1H100M	ELECTRO 10UF 50WV		R1			RK73GB2A823J	CHIP R 82K J 1/10W	
C28			C90-2980-05	ELECTRO 220UF 16WV		R2			RK73GB2A363J	CHIP R 36K J 1/10W	
C29			CD04AS1C100M	ELECTRO 10UF 16WV		R3			RK73GB2A104J	CHIP R 100K J 1/10W	
C51,52			CK73GB1H103K	CHIP C 0.010UF K		R4			RK73FB2B203J	CHIP R 20K J 1/8W	
C111			CK73GB1H102K	CHIP C 1000PF K		R5,6			RK73GB2A103J	CHIP R 10K J 1/10W	
C119			CK73GB1H103K	CHIP C 0.010UF K		R7			RK73GB2A223J	CHIP R 22K J 1/10W	
C163			CK73GB1H103K	CHIP C 0.010UF K		R8			RD14DB2H332J	SMALL-RD 3.3K J 1/2W	
C164			CD04AS1C100M	ELECTRO 10UF 16WV		R9			RD14BB2C333J	RD 33K J 1/6W	
C165			CK73GB1H103K	CHIP C 0.010UF K		R10,11			RK73GB2A223J	CHIP R 22K J 1/10W	
C201,202			CD04AS1H2R2M	ELECTRO 2.2UF 50WV		R12			RK73GB2A473J	CHIP R 47K J 1/10W	
C203			CK73GB1H223K	CHIP C 0.022UF K		R13			RD14BB2C562J	RD 5.6K J 1/6W	
C204			CK73GB1H103K	CHIP C 0.010UF K		R21			RK73FB2B152J	CHIP R 1.5K J 1/8W	
C205			CK73GB1A474K	CHIP C 0.47UF K		R22,23			RD14BB2C472J	RD 4.7K J 1/6W	
C206			CC73GCH1H151J	CHIP C 150PF J		R24-28			RK73GB2A103J	CHIP R 10K J 1/10W	
C209			CD04AS1H2R2M	ELECTRO 2.2UF 50WV		R51,52			RK73GB2A222J	CHIP R 2.2K J 1/10W	
C210			CK73GB1H103K	CHIP C 0.010UF K		R53-56			RK73GB2A102J	CHIP R 1.0K J 1/10W	
C211			CD04AS1A470M	ELECTRO 47UF 10WV		R58			RK73GB2A222J	CHIP R 2.2K J 1/10W	
C212,213			CK73GB1C104K	CHIP C 0.10UF K		R59			RK73GB2A101J	CHIP R 100 J 1/10W	
C251-254			C94-0179-05	ELECTRO 0.22UF 50WV		R60			RK73GB2A102J	CHIP R 1.0K J 1/10W	
C255			CD04AS1H010M	ELECTRO 1UF 50WV		R61,62			RK73GB2A104J	CHIP R 100K J 1/10W	
C256			CD04AS1C220M	ELECTRO 22UF 16WV		R63			RK73GB2A222J	CHIP R 2.2K J 1/10W	
C257			CK73GB1A105K	CHIP C 1.0UF K		R64,65			RK73GB2A104J	CHIP R 100K J 1/10W	
C258		*	C94-0048-05	ELECTRO 0.22UF 50WV		R67,68			RK73GB2A471J	CHIP R 470 J 1/10W	
C301,302		*	CD04AS1HR47M	ELECTRO 0.47UF 50WV		R101			RK73GB2A102J	CHIP R 1.0K J 1/10W	
C303			CD04AS1A470M	ELECTRO 47UF 10WV		R102			RK73GB2A471J	CHIP R 470 J 1/10W	
C304			CK73GB1H103K	CHIP C 0.010UF K		R103			RK73GB2A472J	CHIP R 4.7K J 1/10W	
C306			CK73GB1H103K	CHIP C 0.010UF K		R104			RK73GB2A471J	CHIP R 470 J 1/10W	
C351-354			CD04AS1C100M	ELECTRO 10UF 16WV	K1	R105			RK73GB2A472J	CHIP R 4.7K J 1/10W	
C351,352			CD04AS1C100M	ELECTRO 10UF 16WV	KMM1	R106			RK73GB2A222J	CHIP R 2.2K J 1/10W	
C356			CK73GB1H103K	CHIP C 0.010UF K	KMM1	R152-154			RK73GB2A471J	CHIP R 470 J 1/10W	
C356,357			CK73GB1H103K	CHIP C 0.010UF K	K1	R155			RK73GB2A222J	CHIP R 2.2K J 1/10W	
C401			CC73GCH1H180J	CHIP C 18PF J		R157,158			RK73GB2A471J	CHIP R 470 J 1/10W	
C402			CC73GCH1H220J	CHIP C 22PF J		R159			RK73GB2A102J	CHIP R 1.0K J 1/10W	
C403			CK73GB1C104K	CHIP C 0.10UF K		R160			RK73GB2A222J	CHIP R 2.2K J 1/10W	
C409		*	CD04AS0J470M	ELECTRO 47UF 6.3WV		R161			RK73GB2A225J	CHIP R 2.2M J 1/10W	
C410,411			CK73GB1H103K	CHIP C 0.010UF K		R162,163			RK73GB2A104J	CHIP R 100K J 1/10W	
CN1			E41-0167-05	PIN ASSY							

K : KDC-325   K1 : KDC-3025   M : KDC-5026G   M1 : KDC-5026  
 (K : North America   M : Other Areas)

△ Indicates safety critical components.

## PARTS LIST

\* New parts

Parts without **Parts No.** are not supplied.

Les articles non mentionnés dans le **Parts No.** ne sont pas fournis.

Teile ohne **Parts No.** werden nicht geliefert.

### ELECTRIC UNIT (X34-3090-xx)

Ref. No.	A d	N e w	Parts No.	Description	Desti- nation
R164,165			RK73GB2A473J	CHIP R 47K J 1/10W	
R166			RK73GB2A472J	CHIP R 4.7K J 1/10W	
R167			RK73GB2A474J	CHIP R 470K J 1/10W	
R168			RK73GB2A102J	CHIP R 1.0K J 1/10W	
R184,185			RK73GB2A474J	CHIP R 470K J 1/10W	
R186			RK73GB2A222J	CHIP R 2.2K J 1/10W	
R187			RK73GB2A473J	CHIP R 47K J 1/10W	
R201			RK73GB2A103J	CHIP R 10K J 1/10W	
R202-204			RK73GB2A472J	CHIP R 4.7K J 1/10W	
R205			RK73GB2A222J	CHIP R 2.2K J 1/10W	
R206-208			RK73GB2A102J	CHIP R 1.0K J 1/10W	
R209,210			RK73GB2A103J	CHIP R 10K J 1/10W	
R251			RK73GB2A473J	CHIP R 47K J 1/10W	
R253			RK73GB2A432J	CHIP R 4.3K J 1/10W	
R254			RK73GB2A100J	CHIP R 10 J 1/10W	
R255			RK73GB2A331J	CHIP R 330 J 1/10W	
R256			RK73GB2A334J	CHIP R 330K J 1/10W	
R257			RK73GB2A153J	CHIP R 15K J 1/10W	
R301,302			RK73EB2E100J	CHIP R 10 J 1/4W	
R303			RK73EB2E101J	CHIP R 100 J 1/4W	
R304,305			RK73EB2E472J	CHIP R 4.7K J 1/4W	
R306			RK73EB2E4R7J	CHIP R 4.7 J 1/4W	
R307-309			RK73EB2E472J	CHIP R 4.7K J 1/4W	
R310,311			RK73EB2E101J	CHIP R 100 J 1/4W	
R312-315			RK73GB2A104J	CHIP R 100K J 1/10W	
R351,352			RK73GB2A361J	CHIP R 360 J 1/10W	
R355,356			RK73GB2A223J	CHIP R 22K J 1/10W	
R357,358			RK73FB2B181J	CHIP R 180 J 1/8W	
R359,360			RK73GB2A361J	CHIP R 360 J 1/10W	K1
R361,362			RK73GB2A223J	CHIP R 22K J 1/10W	K1
R363,364			RK73FB2B181J	CHIP R 180 J 1/8W	K1
R374			RK73EB2E102J	CHIP R 1.0K J 1/4W	KK1
R401			RK73GB2A102J	CHIP R 1.0K J 1/10W	
R402,403			RK73GB2A104J	CHIP R 100K J 1/10W	
R404			RK73GB2A223J	CHIP R 22K J 1/10W	
R406			RK73GB2A223J	CHIP R 22K J 1/10W	MM1
R409			RK73GB2A223J	CHIP R 22K J 1/10W	MM1
R409,410			RK73GB2A223J	CHIP R 22K J 1/10W	KK1
R411			RK73GB2A223J	CHIP R 22K J 1/10W	MM1
R413			RK73GB2A223J	CHIP R 22K J 1/10W	
R414			RK73GB2A104J	CHIP R 100K J 1/10W	
R501			RK73GB2A102J	CHIP R 1.0K J 1/10W	
W102			R92-1252-05	CHIP R 0 OHM J 1/16W	
W103,104			R92-2053-05	CHIP R 0 J 1/8W	
W201			R92-1252-05	CHIP R 0 OHM J 1/16W	
W203			R92-1252-05	CHIP R 0 OHM J 1/16W	
S1			S74-0821-05	MICRO SWITCH	
D1			1N5393G-M6	DIODE	
D2-4			MA4068(N)-M	ZENER DIODE	
D21			MA4082(N)-L	ZENER DIODE	
D22,23			AM01ZNF	DIODE	
D24,25			D1F60	DIODE	
D26,27			1SS133	DIODE	

Ref. No.	A d	N e w	Parts No.	Description	Desti- nation
D151-155			MA4062-L	ZENER DIODE	
D157,158			MA4062-L	ZENER DIODE	
D160-163			MA4062-L	ZENER DIODE	
D201,202			MA4068(N)-M	ZENER DIODE	
D203			1SS133	DIODE	
D269			1SS133	DIODE	
D271			1SS133	DIODE	
D301-308			MA4062-L	ZENER DIODE	
D309-311			MA4068 (N)-M	ZENER DIODE	
D401			1SS133	DIODE	
IC1			M30302MC-1N4FP	MICROCONTROLLER IC	
IC2			TDA7407D	ANALOGUE IC	
IC3			BA4911-V4	ANALOGUE IC	
IC4		*	TB2903H	ANALOGUE IC	
IC6			HD74HC27FP-E	MOS-IC	
IC8			PST3435UL	MOS-IC	
IC10			BR24C01AF-W	ROM IC	KK1
Q1-3			2SC4081	TRANSISTOR	
Q4			2SA1036K	TRANSISTOR	
Q21			2SD2375	TRANSISTOR	
Q22,23			UMC2N	TRANSISTOR	
Q151			DTA114YUA	DIGITAL TRANSISTOR	
Q152			2SA1576A	TRANSISTOR	
Q153			DTC144EUA	DIGITAL TRANSISTOR	
Q153			KRC404	DIGITAL TRANSISTOR	
Q154			2SA1577	TRANSISTOR	
Q201			DTC143TUA	DIGITAL TRANSISTOR	
Q351,352			DTC143TUA	DIGITAL TRANSISTOR	
Q354			DTA124EUA	DIGITAL TRANSISTOR	
Q354			KRA303	DIGITAL TRANSISTOR	
Q355,356			DTC143TUA	DIGITAL TRANSISTOR	K1
Q501			DTA124EUA	DIGITAL TRANSISTOR	
Q501			KRA303	DIGITAL TRANSISTOR	
Q502			DTC144EUA	DIGITAL TRANSISTOR	
Q502			KRC404	DIGITAL TRANSISTOR	
TH1			PTH9C42BE471Q	POSITIVE RESISTOR	
A1			X86-3720-11	FRONT-END UNIT	
<b>DAUGHTER UNIT (X89-2570-10)</b>					
C1			CK73GB1H103K	CHIP C 0.010UF K	
CN1			E41-0169-05	SOCKET FOR PIN ASSY	
J1			E58-0865-05	RECTANGULAR RECEPTACLE	
R1			RK73EB2E102J	CHIP R 1.0K J 1/4W	
R2-5			RK73EB2E471J	CHIP R 470 J 1/4W	
R6,7			RK73EB2E102J	CHIP R 1.0K J 1/4W	
R8			RK73EB2E241J	CHIP R 240 J 1/4W	
R9,10			RK73EB2E471J	CHIP R 470 J 1/4W	
R11-13			RK73EB2E102J	CHIP R 1.0K J 1/4W	
S1			S70-0871-05	TACT SWITCH	
<b>CD MECHANISM ASSY (X92-4650-00)</b>					
2	1B	*	A10-4827-32	CHASSIS	

K : KDC-325 K1 : KDC-3025 M : KDC-5026G M1 : KDC-5026  
(K : North America M : Other Areas)

△ Indicates safety critical components.

## PARTS LIST

\* New parts

Parts without **Parts No.** are not supplied.

Les articles non mentionnés dans le **Parts No.** ne sont pas fournis.

Teile ohne **Parts No.** werden nicht geliefert.

### CD MECHANISM ASSY (X92-4650-00)

Ref. No.	Added	New	Parts No.	Description	Destination	Ref. No.	Added	New	Parts No.	Description	Destination
5	1B	*	D10-4576-63	ARM ASSY							
8	2A		D10-4579-13	LEVER ASSY							
10	2A		D10-4581-13	ARM							
11	2A		D10-4582-13	ARM							
12	3A		D10-4583-03	ARM							
13	3A		D10-4584-03	ARM							
14	3B		D10-4585-03	ARM							
15	2A		D10-4586-13	SLIDER							
16	3B		D10-4587-32	SLIDER							
17	2B		D10-4588-13	SLIDER							
18	2B		D10-4595-04	ARM							
19	3B		D10-4596-14	ARM							
22	2A		D13-2151-04	GEAR							
23	2B		D13-2152-04	GEAR							
24	3B		D13-2153-04	GEAR							
25	3B		D13-2154-04	GEAR							
26	3B		D13-2155-04	WORM							
27	2B		D13-2156-14	GEAR							
28	3B		D13-2157-04	GEAR							
29	3B		D13-2158-04	GEAR							
30	2B		D13-2168-04	GEAR							
31	3B		D13-2171-04	GEAR							
32	2B		D13-2172-03	RACK (GEAR)							
33	2A		D14-0759-04	ROLLER							
35	2B		D21-2382-04	SHAFT							
36	1A		D23-0954-04	RETAINER							
37	1B		D39-0246-05	DAMPER							
38	2B		G01-3072-04	EXTENSION SPRING							
39	2A		G01-3073-04	TORSION COIL SPRING							
40	2A		G01-3074-04	EXTENSION SPRING							
41	1B		G01-3075-14	EXTENSION SPRING							
42	2A		G01-3076-04	EXTENSION SPRING							
43	1B		G01-3077-14	EXTENSION SPRING							
44	2B		G02-1399-04	FLAT SPRING							
45	2B		G02-1408-04	FLAT SPRING							
51	1A		J21-9676-22	MOUNTING HARDWARE							
52	3B	*	J21-9677-22	MOUNTING HARDWARE							
53	1B		J21-9678-13	MOUNTING HARDWARE							
55	1A		J90-1001-11	GUIDE							
56	1B		J90-1023-03	GUIDE							
A	2B		N09-4460-05	TAPTITE SCREW (OVAL P TAPTIT)							
B	1B		N09-4472-15	MACHINE SCREW (M1.7X8.0)							
C	2B		N09-6004-05	MACHINE SCREW (M1.7X2.5 IB-L)							
E	2B		N09-6007-05	MACHINE SCREW (PAN M2X2)							
F	1A		N09-6051-05	TAPTITE SCREW (BIND P 2X5)							
G	2A		N19-2163-04	FLAT WASHER							
H	1B		N39-2020-46	PAN HEAD MACHIN SCREW							
J	1B		N09-6108-05	MACHINE SCREW (M2*3.5TYPE3)							
K	3B		N09-6155-05	SEMS (TAPTITE SCREW) (PT2X6)							
DM1	3B		T42-1066-04	DC MOTOR ASSY (SP)							
DM2	2B		T42-1067-04	DC MOTOR ASSY (LO)							
DPU1	2B		X93-2010-00	OPTICAL PICKUP ASSY							

K : KDC-325 K1 : KDC-3025 M : KDC-5026G M1 : KDC-5026  
(K : North America M : Other Areas)

△ Indicates safety critical components.



# KDC-3025/325/5026/G

## SPECIFICATIONS

		KDC-3025/325	KDC-5026/5026G
FM	Frequency Range (Frequency step)	87.9MHz~107.9MHz (200kHz)	87.5MHz~108.0MHz (50kHz) 87.9MHz~107.9MHz (200kHz)
	Channel Space Selection	50k/200kHz	50k/200kHz
	Usable Sensitivity (S/N : 30dB)	9.3dBf (0.8μV/75Ω)	9.3dBf (0.8μV/75Ω)
	Quieting Sensitivity (S/N 50dB)	15.2dBf (1.6μV/75Ω)	15.2dBf (1.6μV/75Ω)
	Frequency Response (±3.0dB)	30Hz~15kHz	30Hz~15kHz
	S/N	70dB (MONO)	70dB (MONO)
	Selectivity	≥80dB (±400kHz)	≥80dB (±400kHz)
	Stereo Separation	40dB (1kHz)	40dB (1kHz)
AM	Frequency Range (Frequency step)	530kHz~1700kHz (10kHz)	531kHz~1611kHz (9kHz) 530kHz~1700kHz (10kHz)
	Channel Space Selection	9k/10kHz	9k/10kHz
	Usable Sensitivity (S/N : 20dB)	28dBμ (25μV)	28dBμ (25μV)
CD	Laser Diode	GaAlAs (λ=780nm)	GaAlAs (λ=780nm)
	Digital Filter (D/A)	8 Times OverSampling	8 Times OverSampling
	D/A Converter	1 Bit	1 Bit
	Spindle Speed	500~200 (CLV)	500~200 (CLV)
	Wow & Flutter	Below Mesurable Limit	Below Mesurable Limit
	Frequency Response	10~20kHz (±1dB)	10~20kHz (±1dB)
	Total Harmonic Distortion	0.01% (1kHz)	0.01% (1kHz)
	S/N Ratio	93dB (1kHz)	93dB (1kHz)
	Dynamic Range	93dB	93dB
	Channel Separation	85dB	85dB
Preout Level/Load - Unbalanced		2000mV/10kΩ (CD/CD-CH)	2000mV/10kΩ (CD/CD-CH)
Preout Impedance		≤600Ω	≤600Ω
AMP	Maximum Power	50W x 4	50W x 4
	Full Bandwidth Power (at less than 1%THD)	22W x 4	22W x 4
TONE	Bass	100Hz±10dB	100Hz±10dB
	Middle	1kHz±10dB	1kHz±10dB
	Treble	10kHz±10dB	10kHz±10dB
GENE	Operating voltage (11~16V allowable)	14.4V	14.4V
	Current Consumption	10A	10A
	Installation Size (W)	182 (mm) 7-3/16 (in)	182 (mm) 7-3/16 (in)
	(H)	53 (mm) 2-1/16 (in)	53 (mm) 2-1/16 (in)
	(D)	155 (mm) 6-1/10 (in)	155 (mm) 6-1/10 (in)
Weight		1.20 (kg) 2.64 (lbs)	1.20 (kg) 2.64 (lbs)

KENWOOD follows a policy of continuous advancements in development. For this reason specifications may be changed without notice.

## KENWOOD CORPORATION

2967-3, Ishikawa-machi, Hachioji-shi, Tokyo, 192-8525 Japan

KENWOOD USA CORPORATION  
P.O. Box 22745, 2201 East Dominguez Street, Long Beach, CA 90801-5745, U.S.A.

KENWOOD ELECTRONICS CANADA INC.  
6070 Kestrel Road, Mississauga, Ontario, Canada L5T 1S8

KENWOOD ELECTRONICS LATIN AMERICA S.A.  
P.O. Box 55-2791 Pañilla, Plaza Credicorp Bank Panama,  
Piso 9, Oficina 901, Calle 50, Panama, Rep. de Panama

KENWOOD ELECTRONICS BRASIL LTDA.  
Alameda Ministro Rocha Azevedo No. 456,  
Edifício Jaú, 10o Andar, Cerqueira César, Cep 0140-001,  
São Paulo-SP-Brasil

KENWOOD ELECTRONICS UK LIMITED  
Kenwood House, Dwight Road, Watford, Herts, WD18 9EB, United Kingdom

KENWOOD ELECTRONICS DEUTSCHLAND GMBH  
Rembrücker-Str. 15, 63150 Heusenstamm, Germany

KENWOOD ELECTRONICS FRANCE S.A.  
13, Boulevard Ney, 75018 Paris, France

KENWOOD ELECTRONICS BELGIUM N.V.  
Leuvensesteenweg 248 J, 1800 Vilvoorde, Belgium

KENWOOD ELECTRONICS ITALIA S.p.A.  
Via G. Sirtori 7/9, 20129 Milano, Italy

KENWOOD IBÉRICA S.A.  
Bolivia, 239-08020 Barcelona, Spain

KENWOOD ELECTRONICS AUSTRALIA PTY. LTD. (A.C.N. 001 499 074)  
16 Giffnock Avenue, Centrecourt Estate, North Ryde,  
N.S.W. 2113, Australia

KENWOOD ELECTRONICS (HONG KONG) LTD.  
Unit 3712-3724, Level 37, Tower 1, Metroplaza, 223 Hing Fong Road, Kwai Fong, N.T.,  
Hong Kong

KENWOOD ELECTRONICS GULF FZE  
P.O. Box 61318, Jebel Ali, Dubai, U.A.E.

KENWOOD ELECTRONICS (THAILAND) CO., LTD.  
2019 New Pechburi Road, Bangkok, Huaykwang, Bangkok, 10320 Thailand

KENWOOD ELECTRONICS SINGAPORE PTE. LTD.  
1 Genting Lane, #07-00, Kenwood Building, Singapore, 349544

KENWOOD ELECTRONICS (MALAYSIA) SDN BHD  
#4.01 Level 4, Wisma Academy Lot 4A, Jalan 19/1, 46300 Petaling Jaya, Selangor Darul Ehsan,  
Malaysia